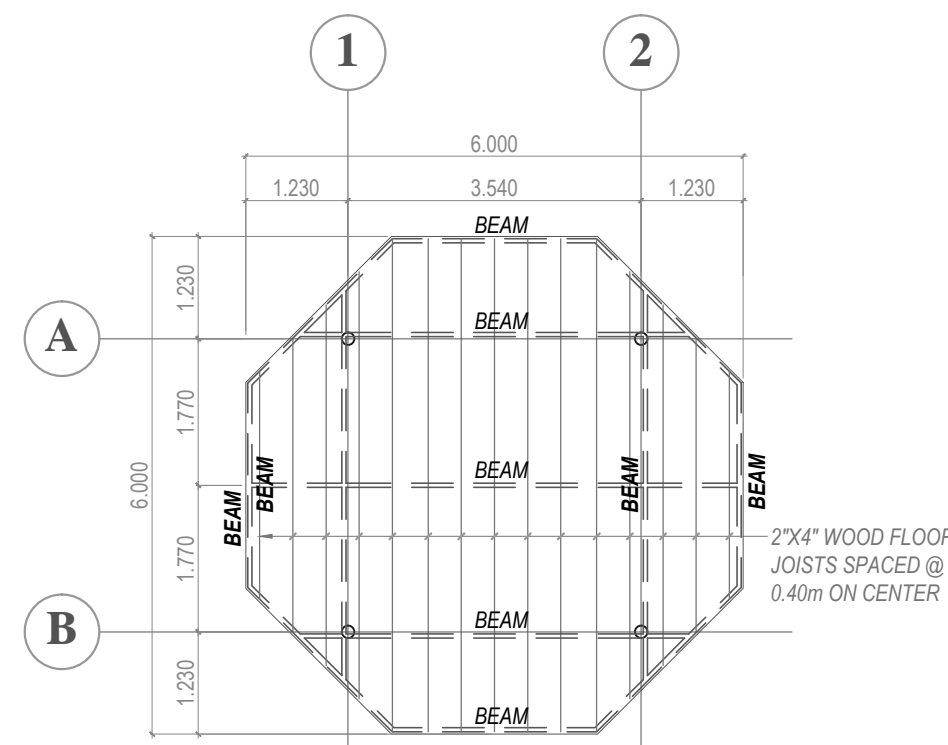
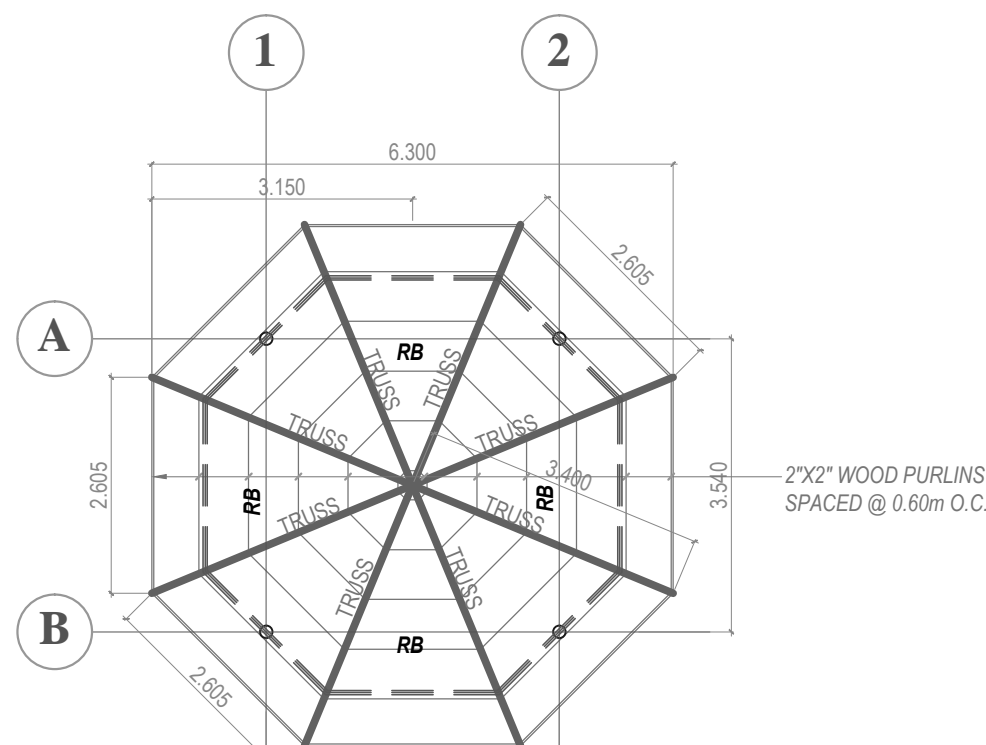


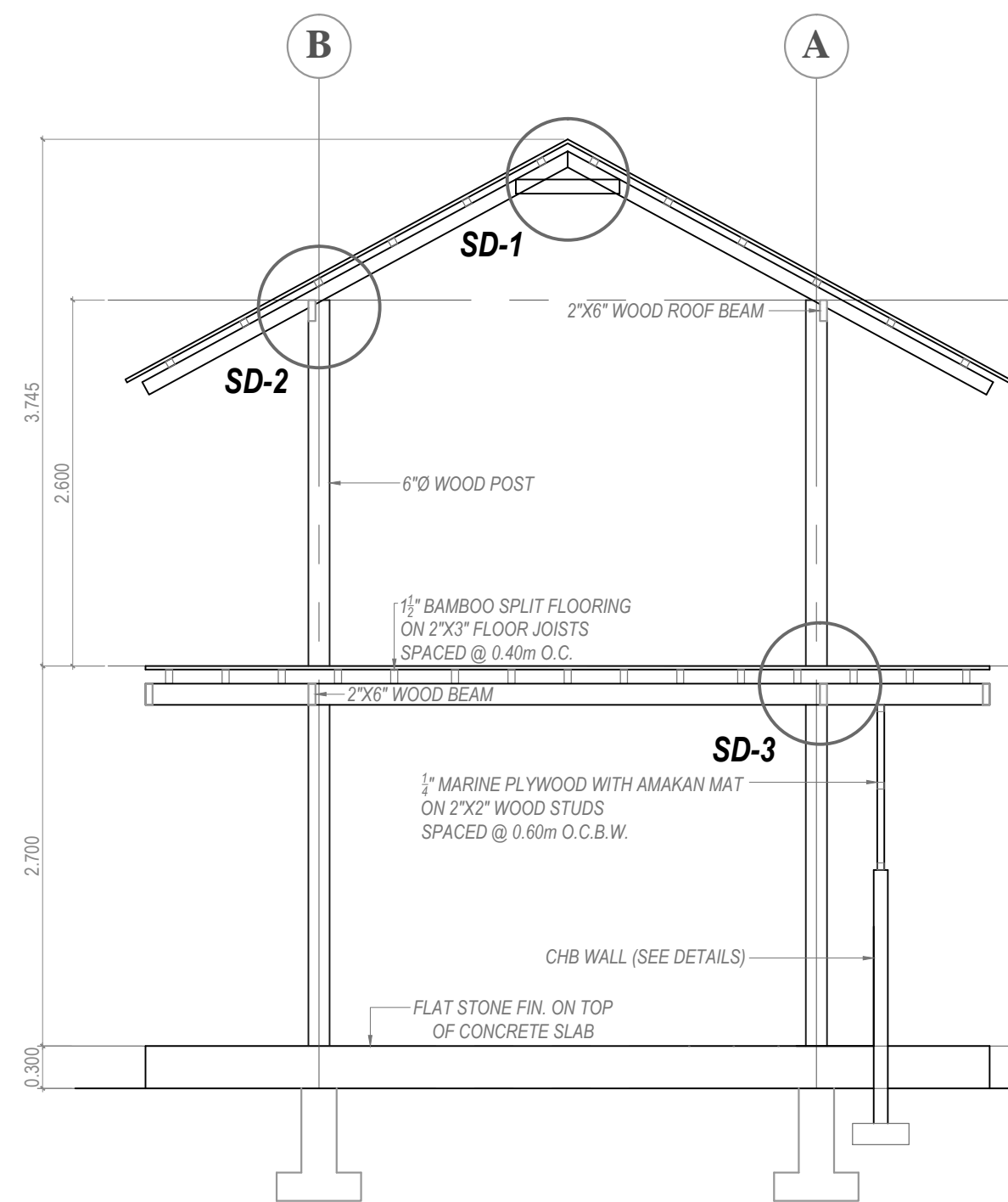
FOUNDATION PLAN
SCALE 1:100 METERS



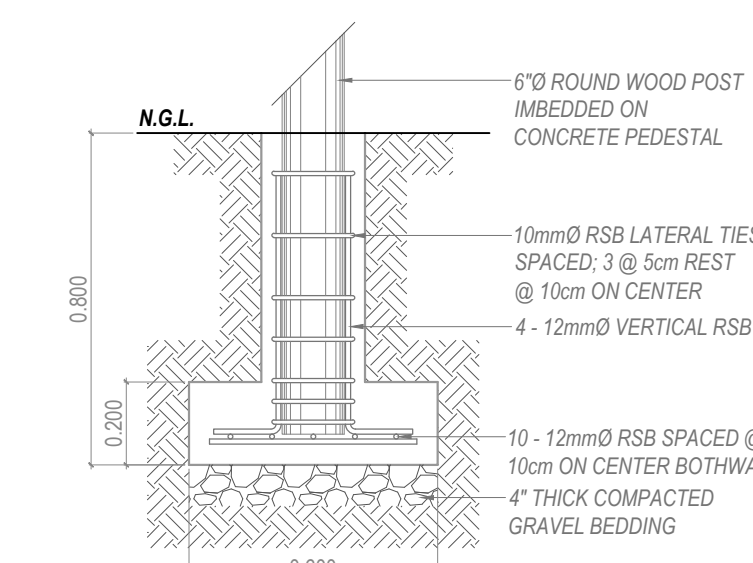
SECOND FLOOR FRAMING PLAN
SCALE 1:100 METERS



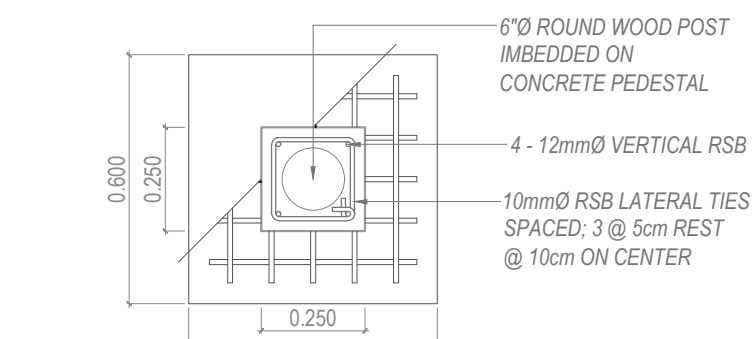
ROOF FRAMING PLAN
SCALE 1:100 METERS



STRUCTURAL CROSS SECTION
SCALE 1:50 METERS



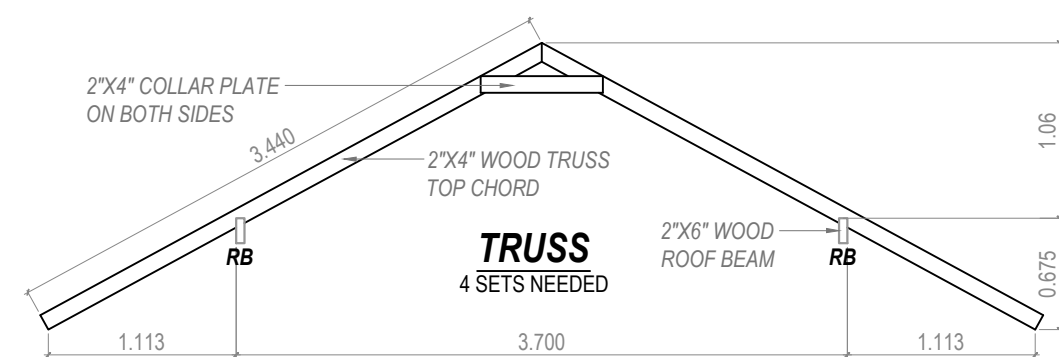
CF SECTION



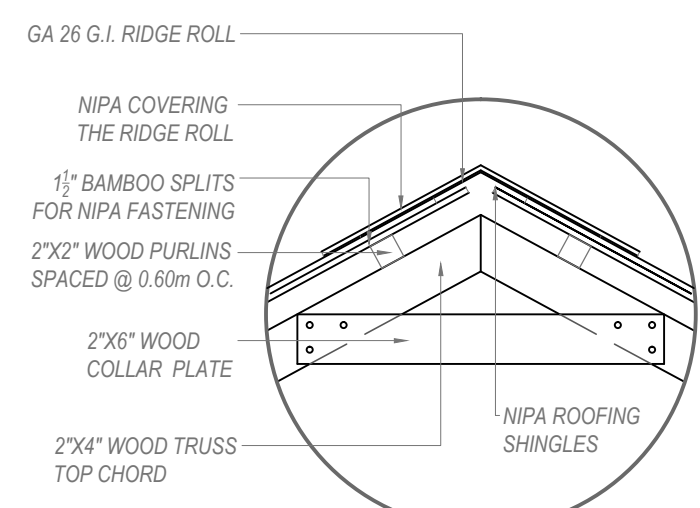
CF PLAN

TYPICAL COLUMN-FOOTING DETAILS
SCALE 1:20 METERS

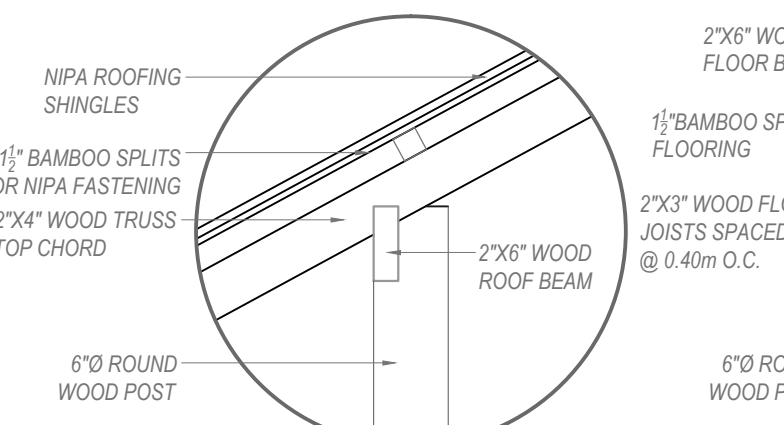
- CAFE' & BAR
- OUTDOOR BATHROOMS
- ELECTRICAL CONTROL ROOM



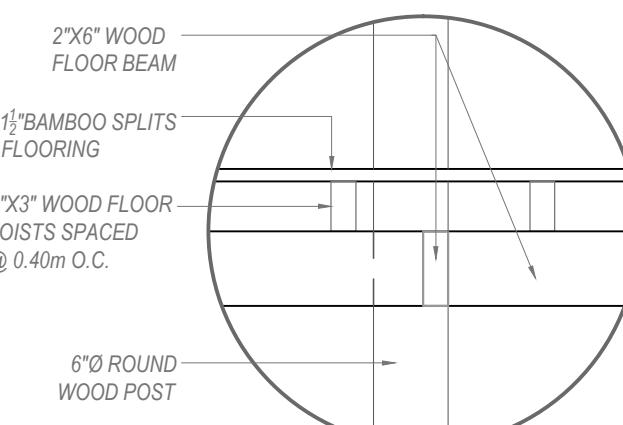
TRUSS SCHEDULE & DETAILS
SCALE 1:50 METERS



SD-1



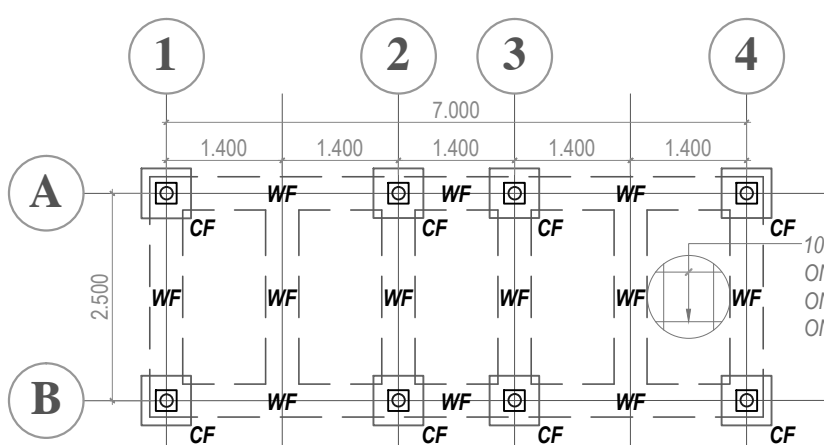
SD-2



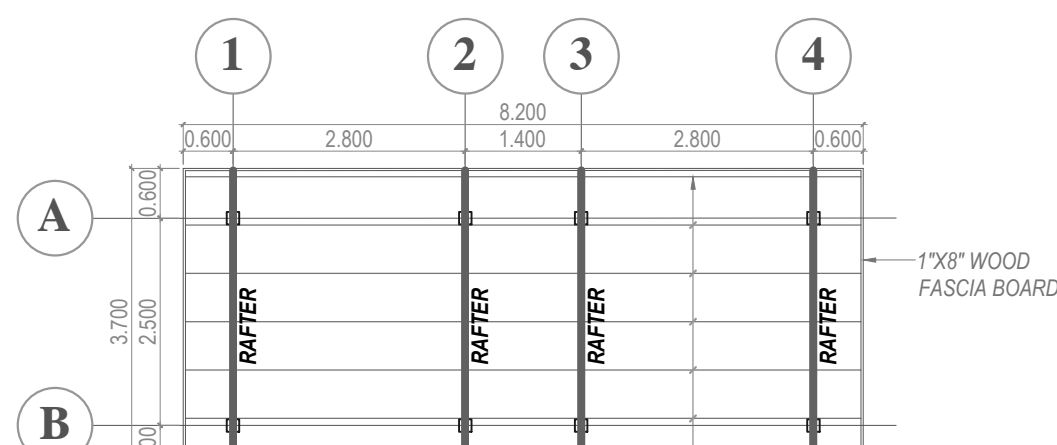
SD-3

STRUCTURAL SPOT DETAILS
NOT TO SCALE

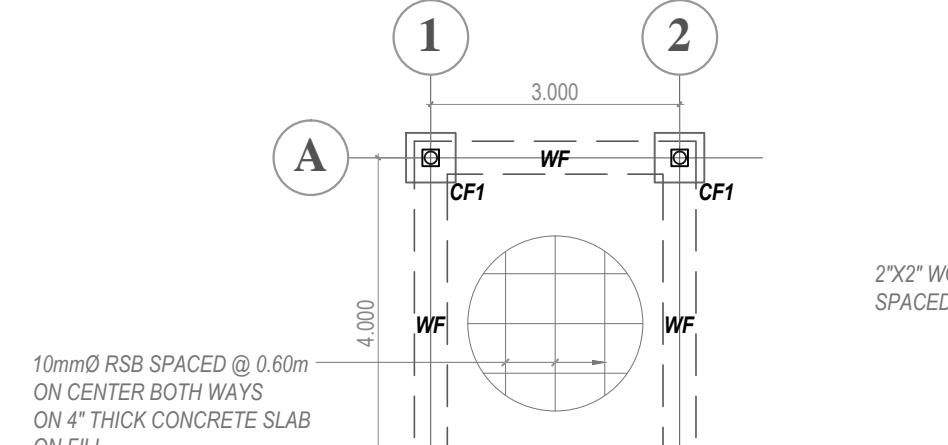
CAFE' & BAR



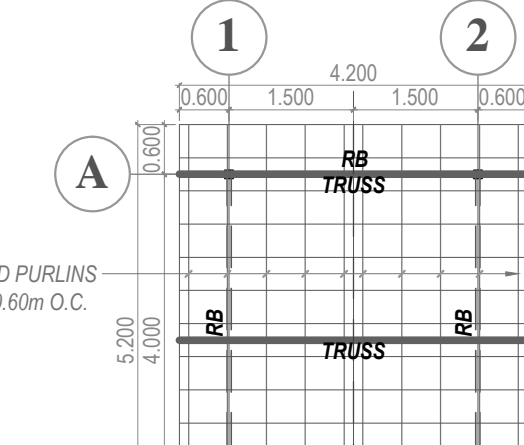
OUTDOOR BATHROOM FOUNDATION PLAN
SCALE 1:100 METERS



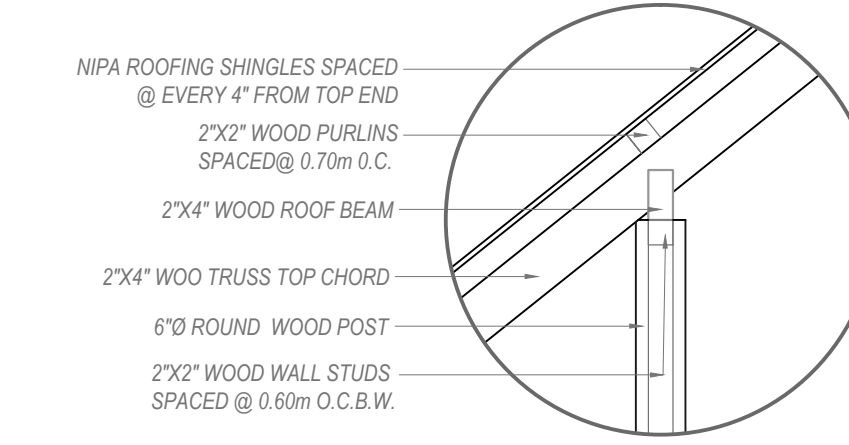
OUTDOOR BATHROOM ROOF FRAMING PLAN
SCALE 1:100 METERS



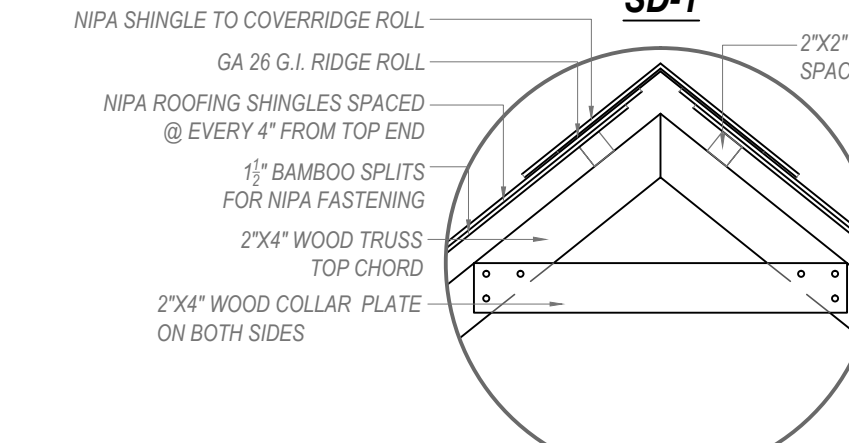
FOUNDATION PLAN
SCALE 1:100 METERS



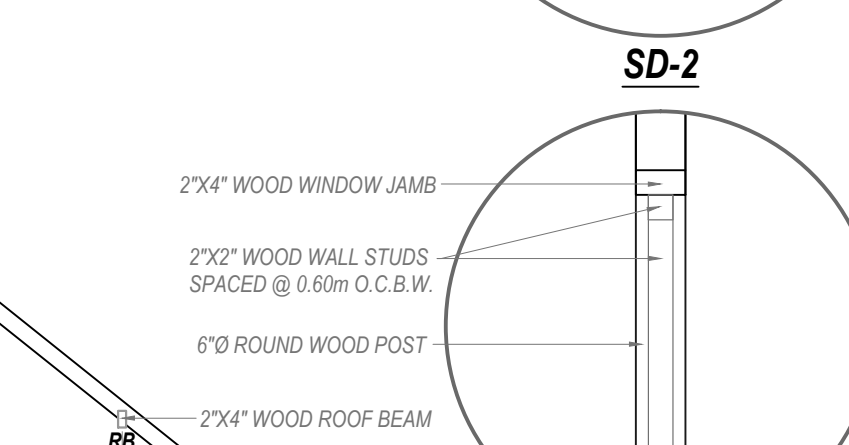
ROOF FRAMING PLAN
SCALE 1:100 METERS



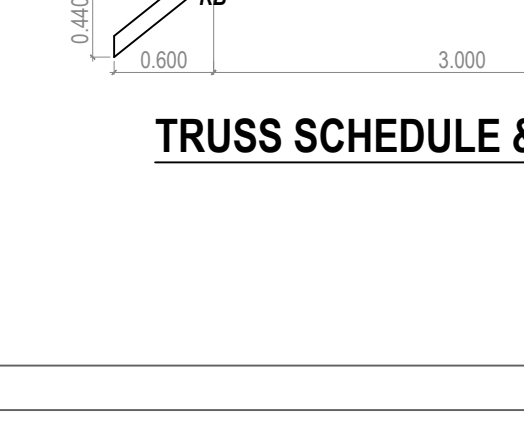
SD-1



SD-2

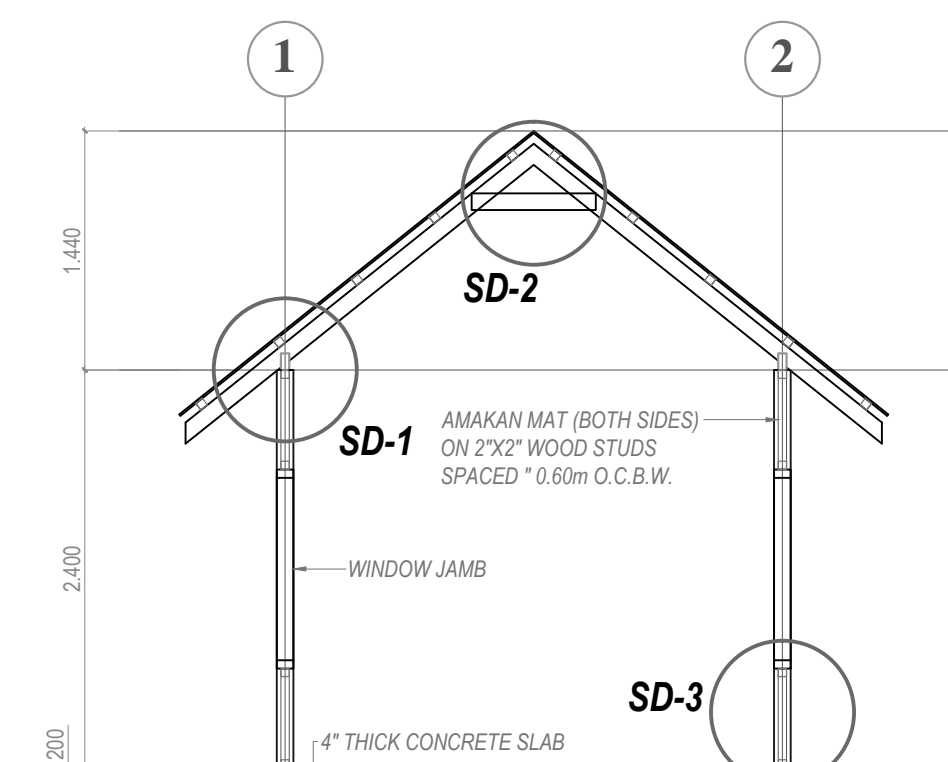


SD-3



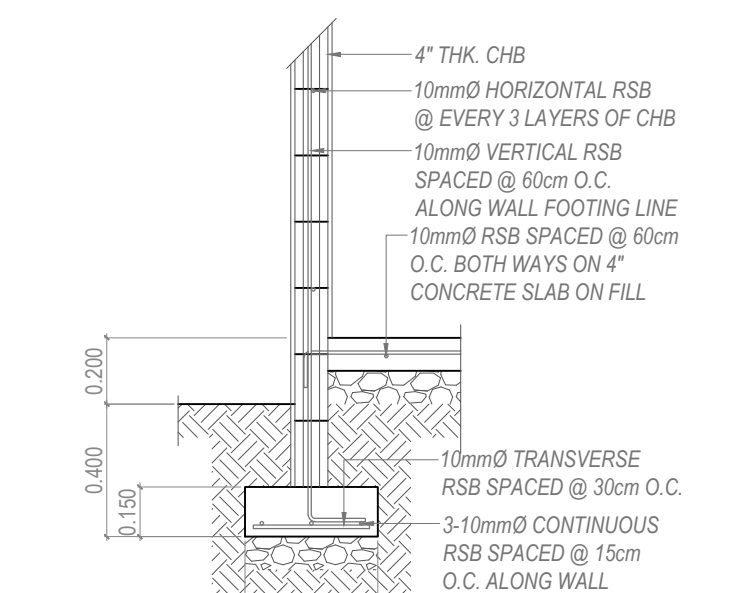
TRUSS SCHEDULE & DETAILS
SCALE 1:50 METERS

STRUCTURAL SPOT DETAILS
NOT TO SCALE

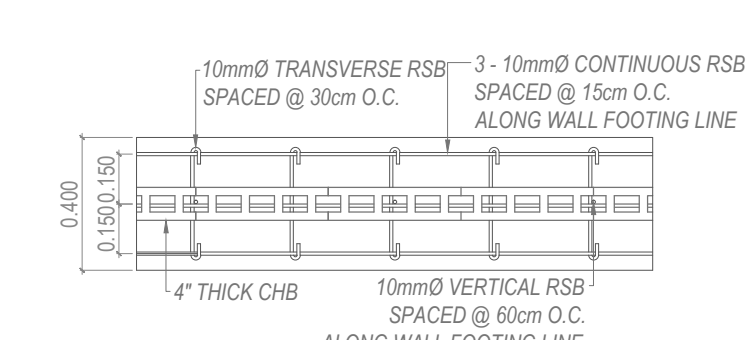


STRUCTURAL CROSS SECTION
SCALE 1:50 METERS

ELECTRICAL CONTROL ROOM



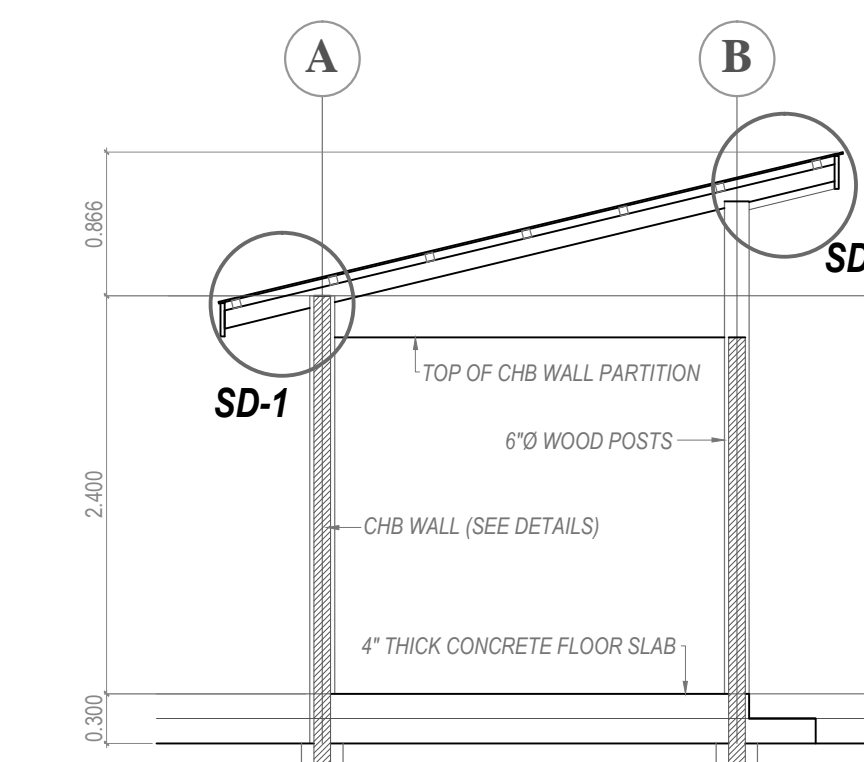
WF SECTION



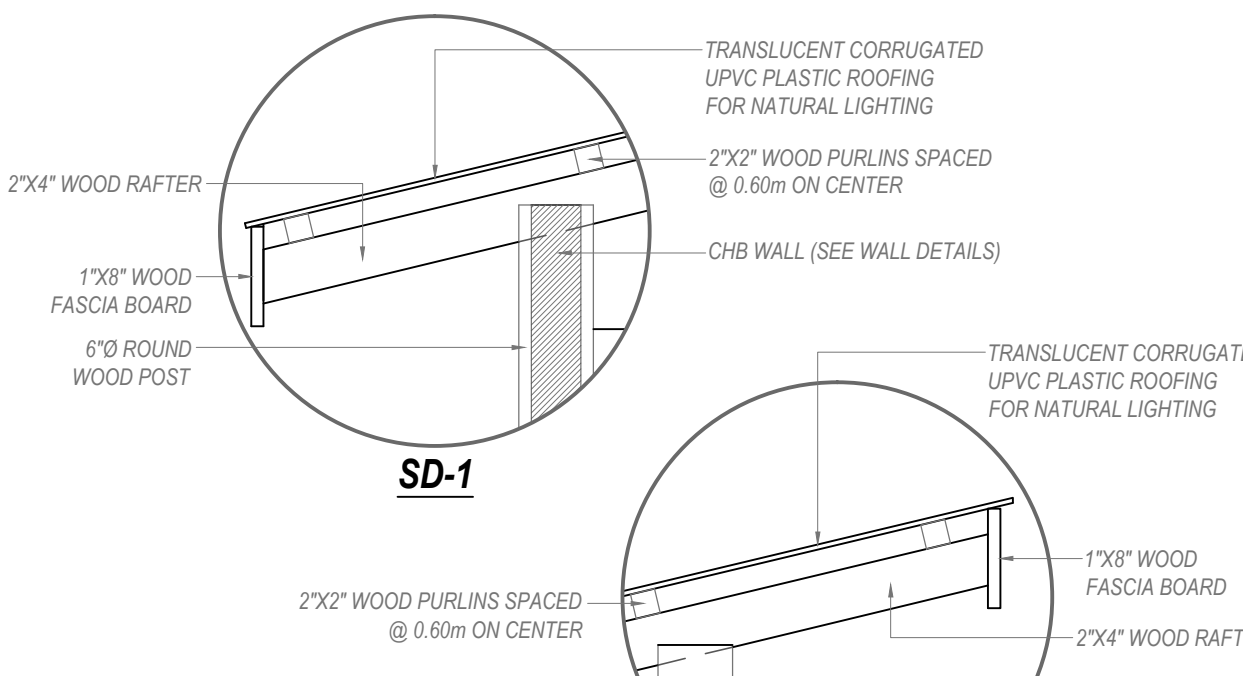
WF PLAN

TYPICAL CHB WALL-FOOTING DETAILS
SCALE 1:25 METERS

- CAFE' & BAR
- OUTDOOR BATHROOMS
- ELECTRICAL CONTROL ROOM



STRUCTURAL CROSS SECTION
SCALE 1:50 METERS



STRUCTURAL SPOT DETAILS
NOT TO SCALE

OUTDOOR BATHROOMS

<p>CLINT M. PONCE DE LEON ARCHITECTURAL DESIGN AND SERVICES 25-D SOCRATES ROAD, BGY. SAN PEDRO, PUERTO PRINCESA CITY, PALAWAN PHILIPPINES MOBILE NO. 09336337954 EMAIL: arch.clintponcedeleon@gmail.com</p>	<p>DEXTER T. CARDIJON CIVIL ENGINEER</p> <p>PRC REG. NO.: 109894 PTR NO.: 1267878 DATE ISSUED: 1-16-2019 PLACE ISSUED: P.P.C.</p>	PROJECT TITLE:	PROJECT OWNER:	SHEET CONTENTS:	RA 9286. RULE IV. SEC.33
		PROPOSED BEACH RESORT		BINGA BEACH BROTHERS Inc.	AS SHOWN
		LOCATION: LOT 3947-E, SITIO LUMAMBONG, BGY. BINGA, SAN VICENTE, PALAWAN	ADDRESS: LOT 3947-E, SITIO LUMAMBONG, BGY. BINGA, SAN VICENTE, PALAWAN		