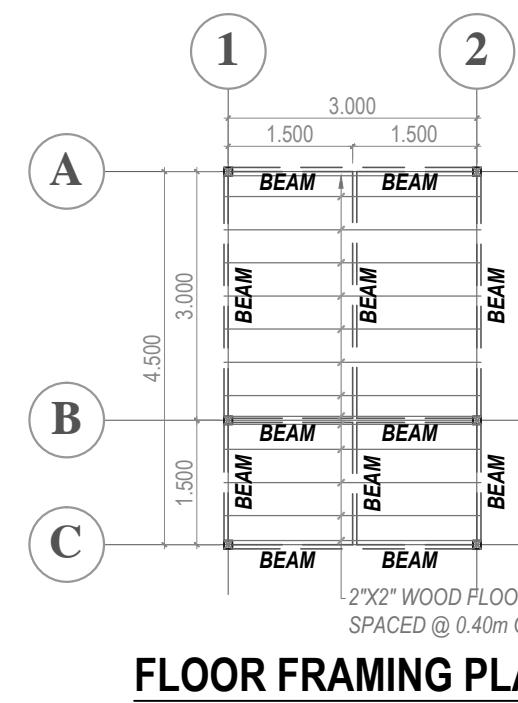
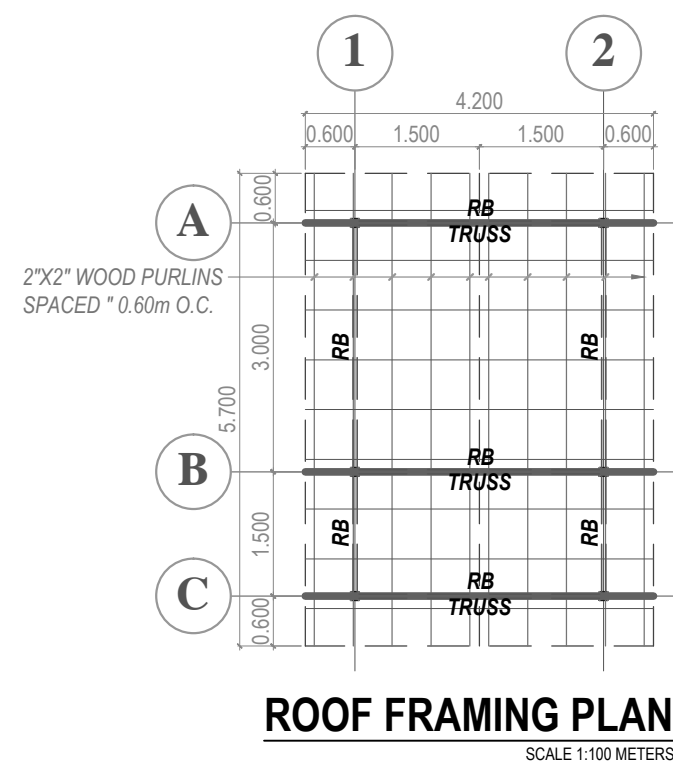


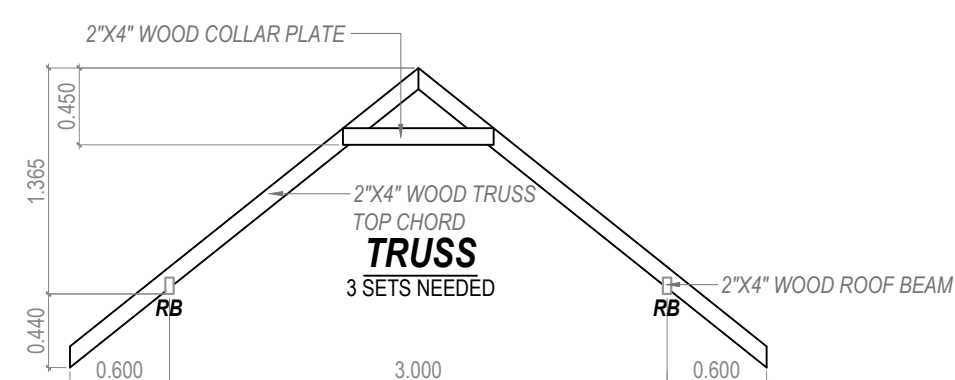
FOUNDATION PLAN
SCALE 1:100 METERS



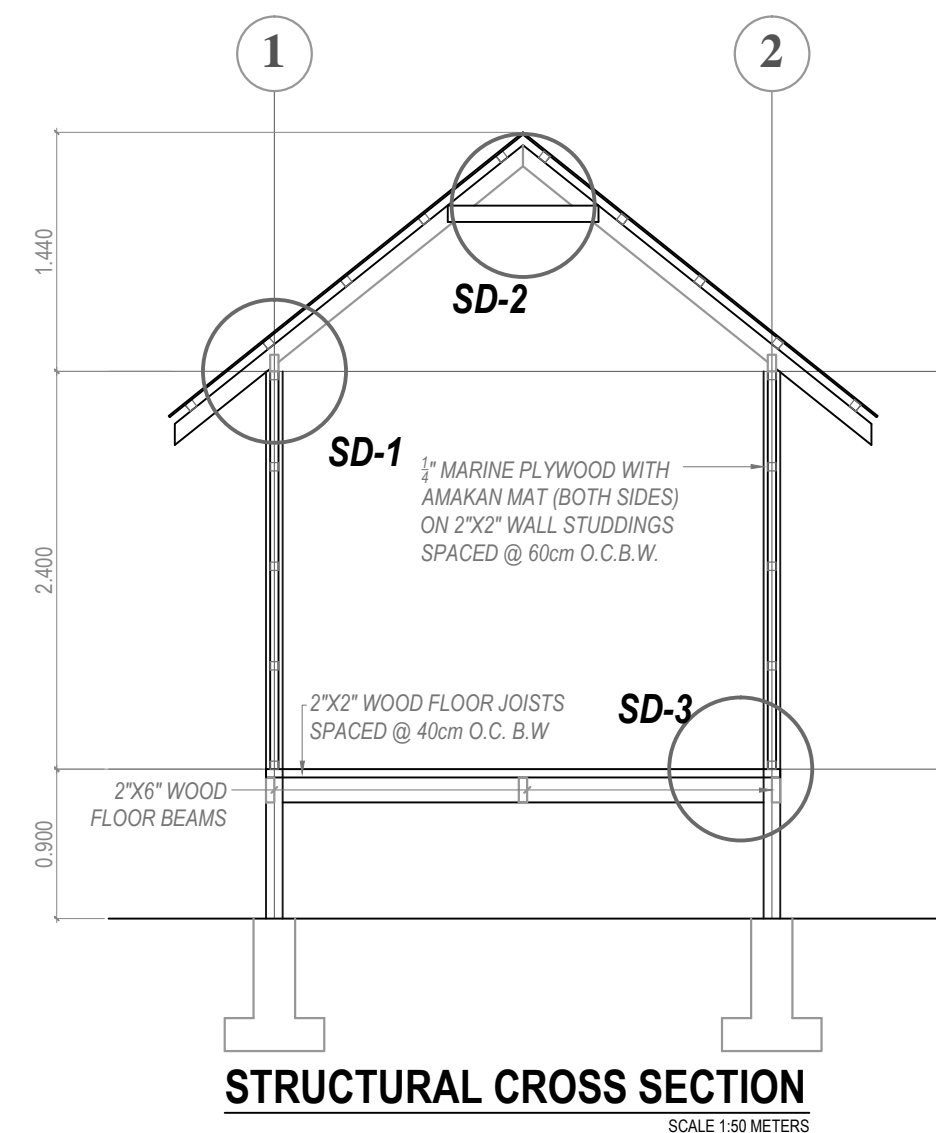
FLOOR FRAMING PLAN
SCALE 1:100 METERS



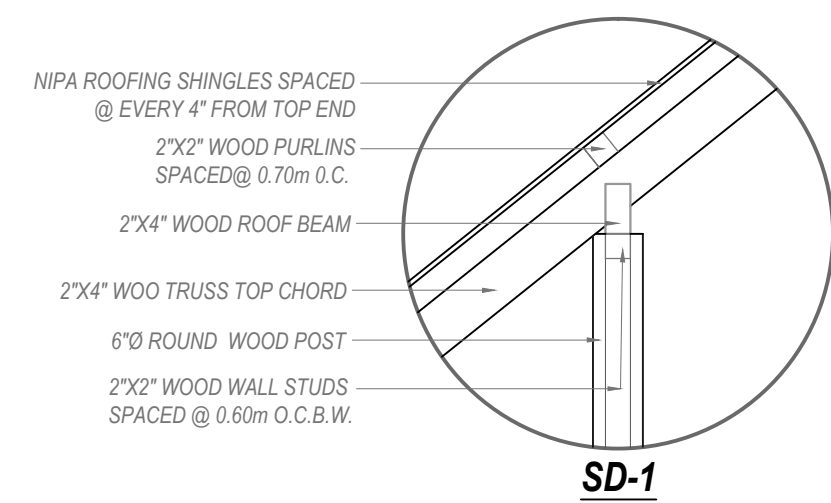
ROOF FRAMING PLAN
SCALE 1:100 METERS



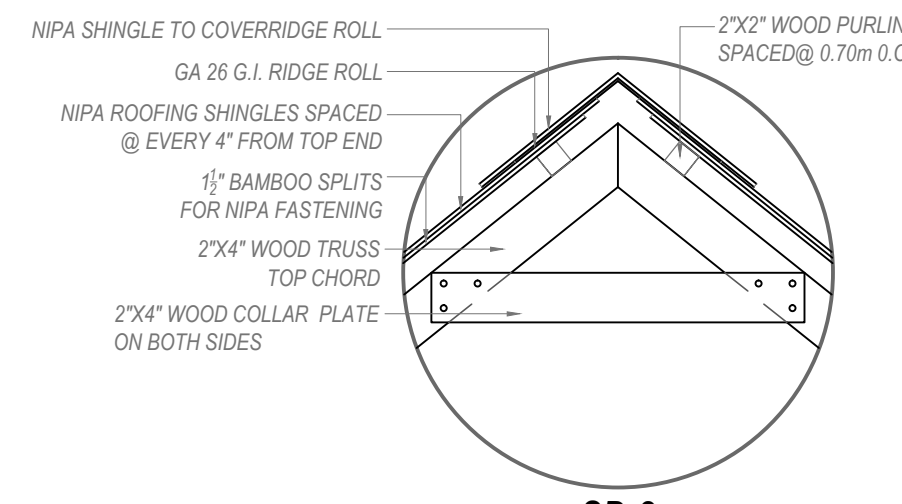
TRUSS SCHEDULE & DETAILS
SCALE 1:50 METERS



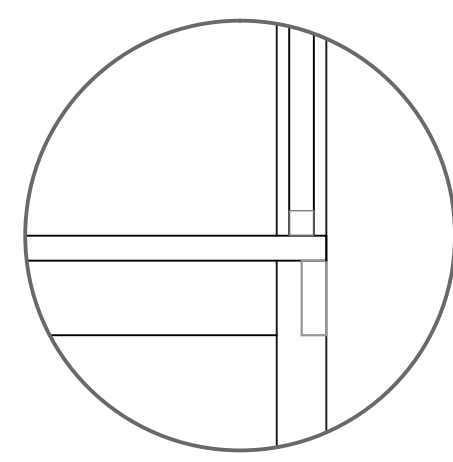
STRUCTURAL CROSS SECTION
SCALE 1:50 METERS



SD-1

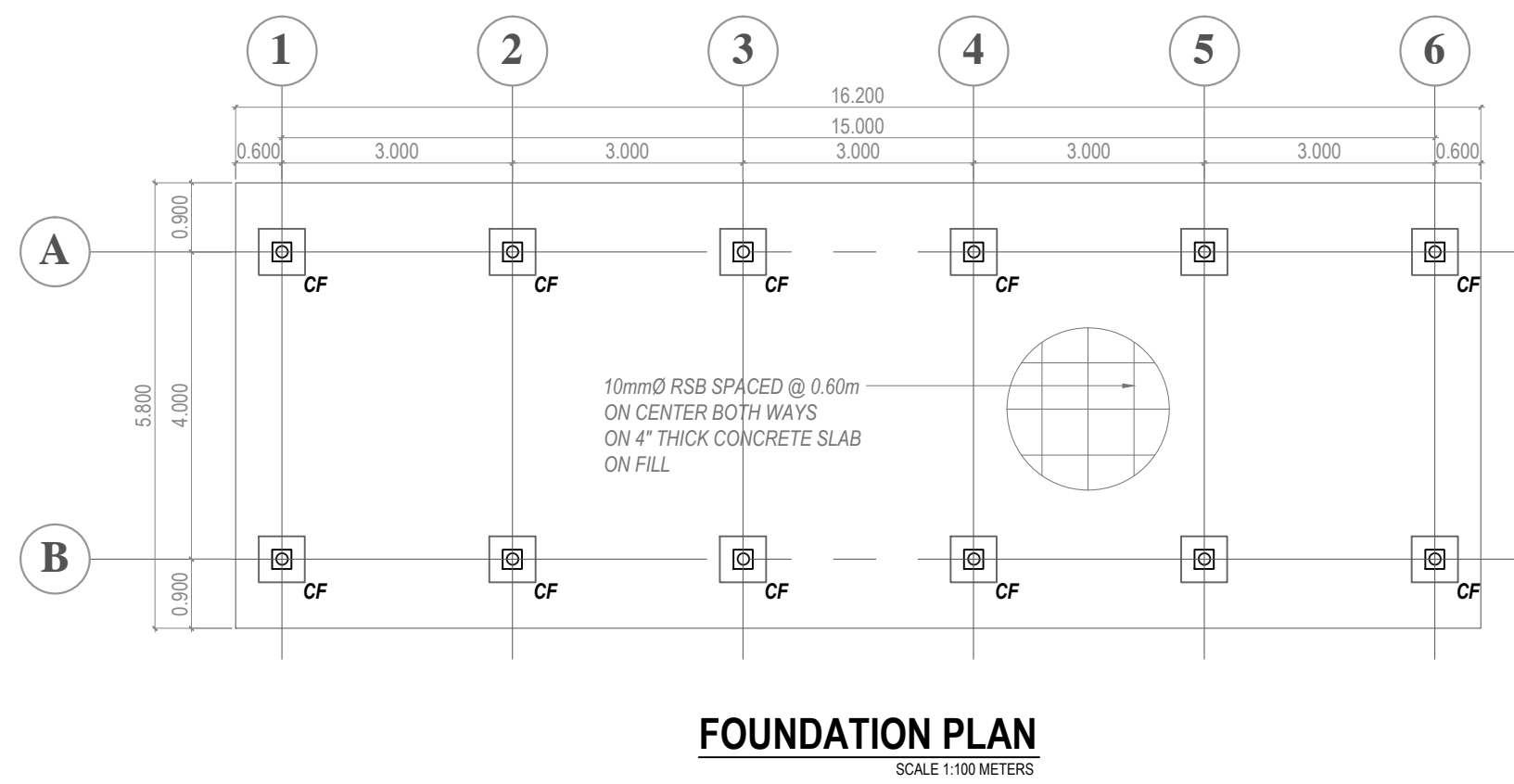


SD-2

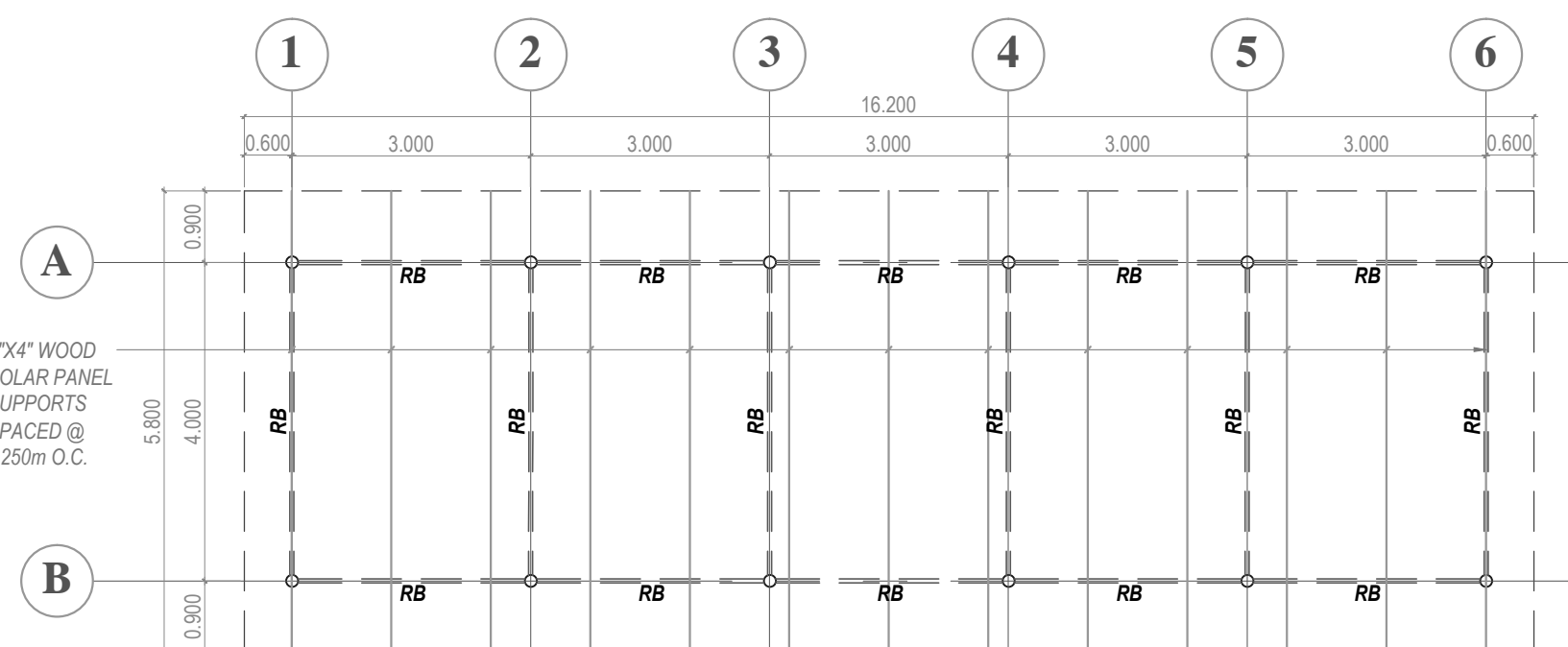


SD-3

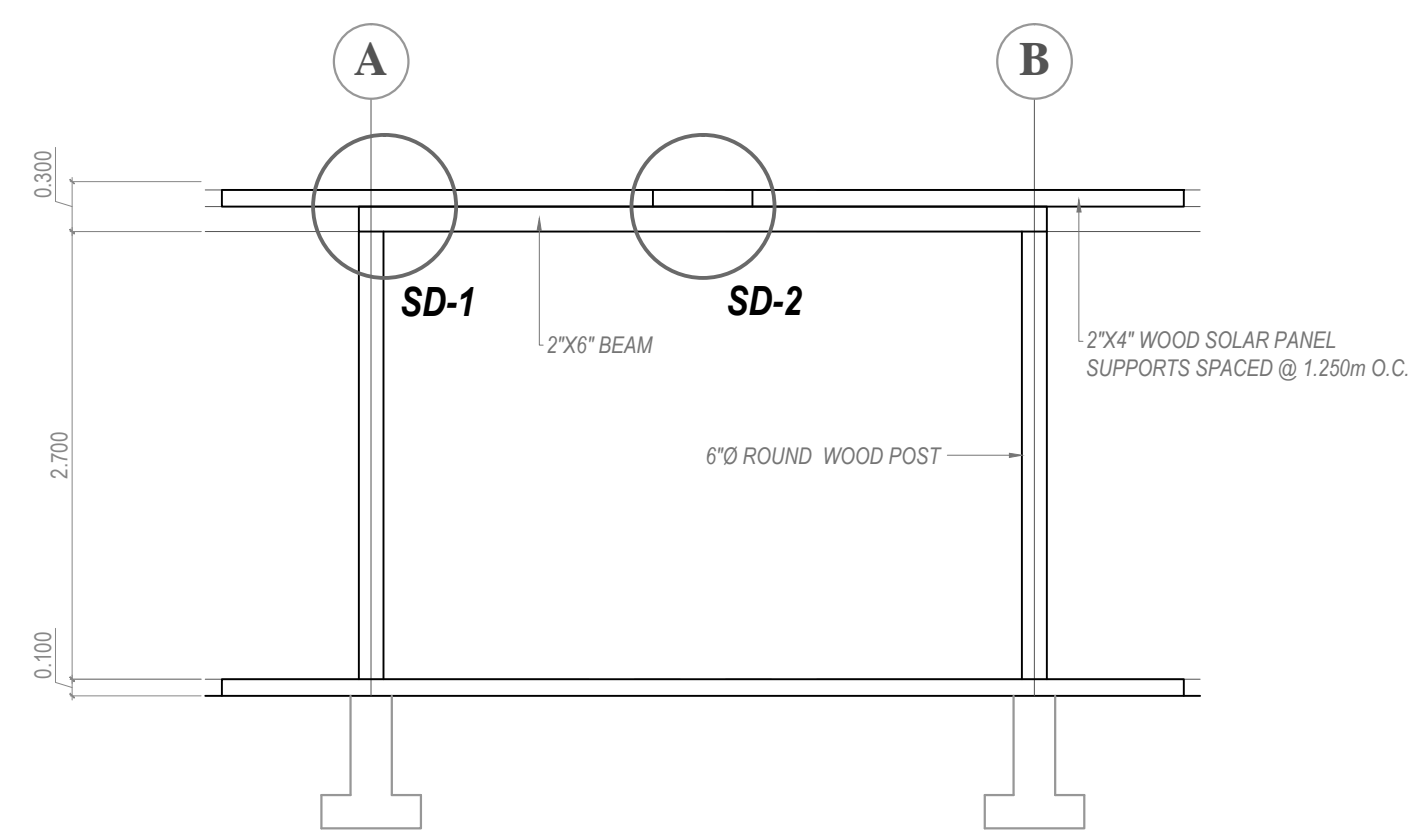
STRUCTURAL SPOT DETAILS
NOT TO SCALE



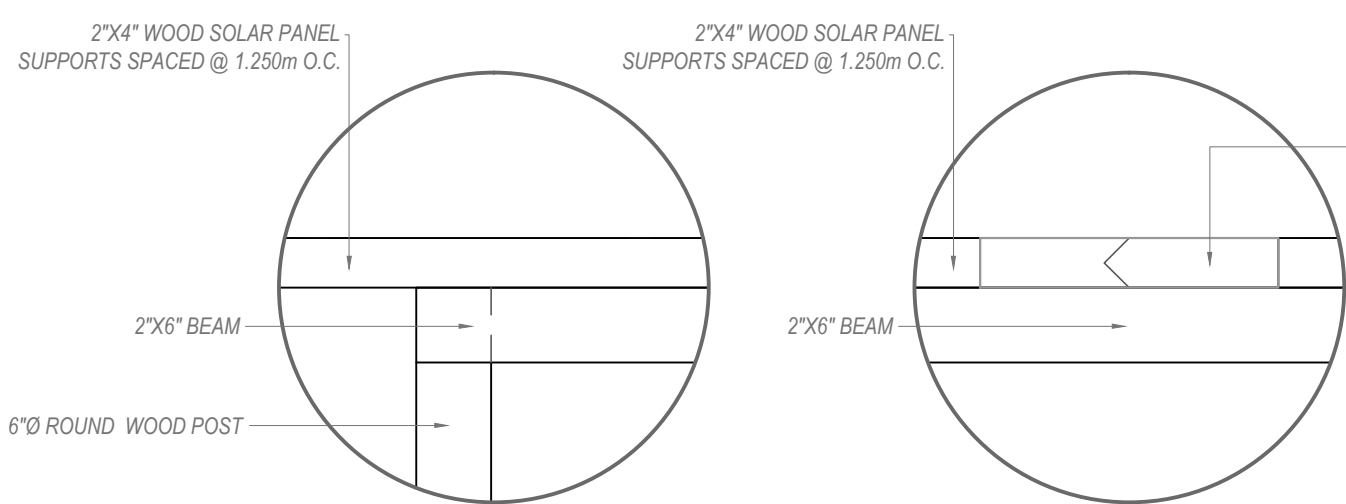
FOUNDATION PLAN
SCALE 1:100 METERS



ROOF FRAMING PLAN
SCALE 1:100 METERS



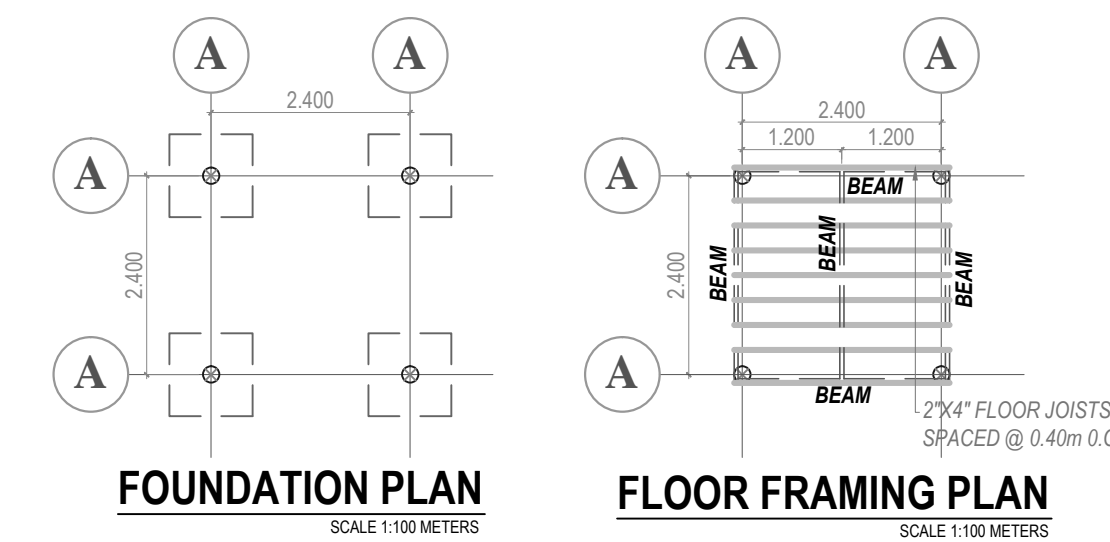
STRUCTURAL CROSS SECTION
SCALE 1:50 METERS



SD-1

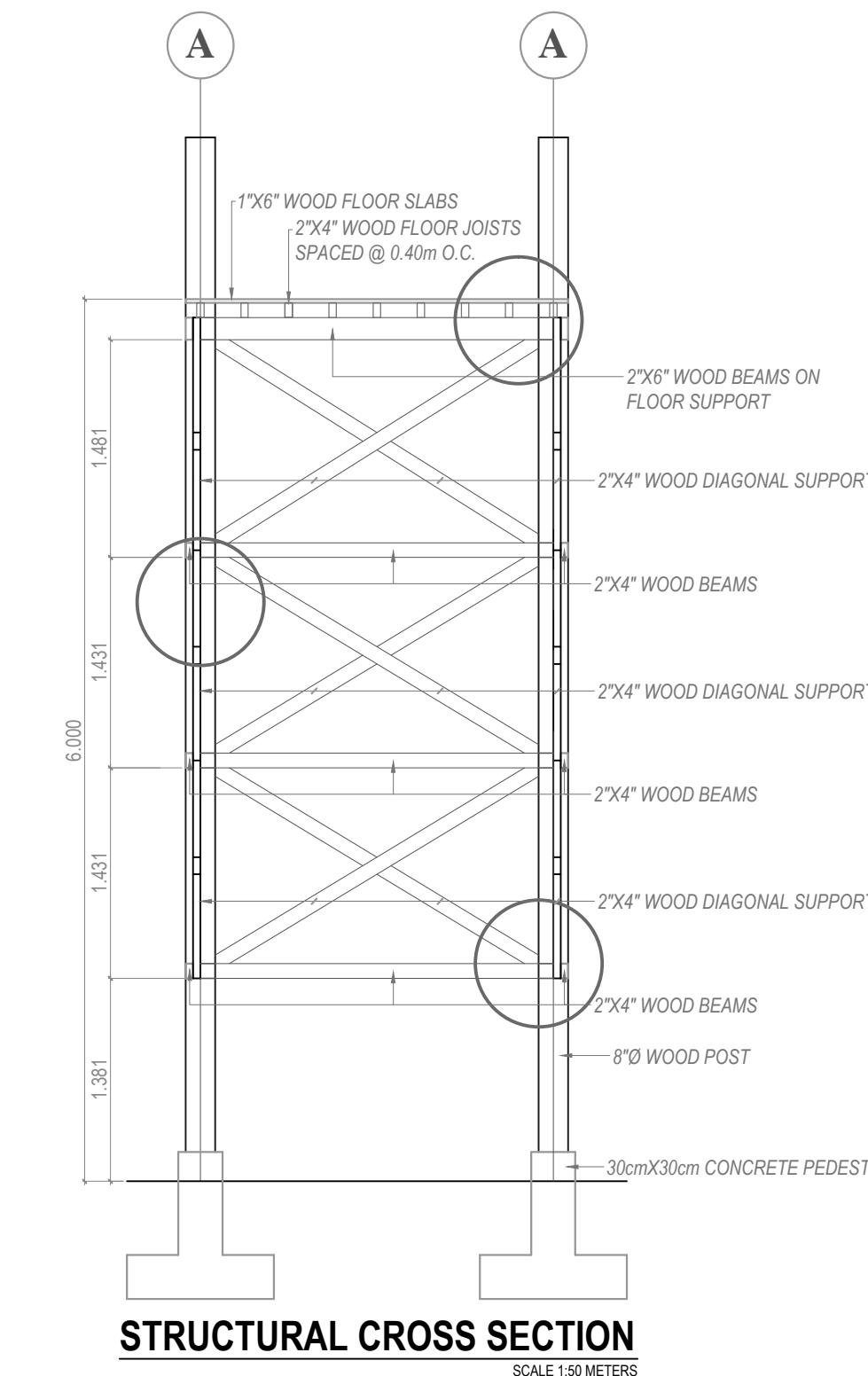
SD-2

STRUCTURAL SPOT DETAILS
NOT TO SCALE

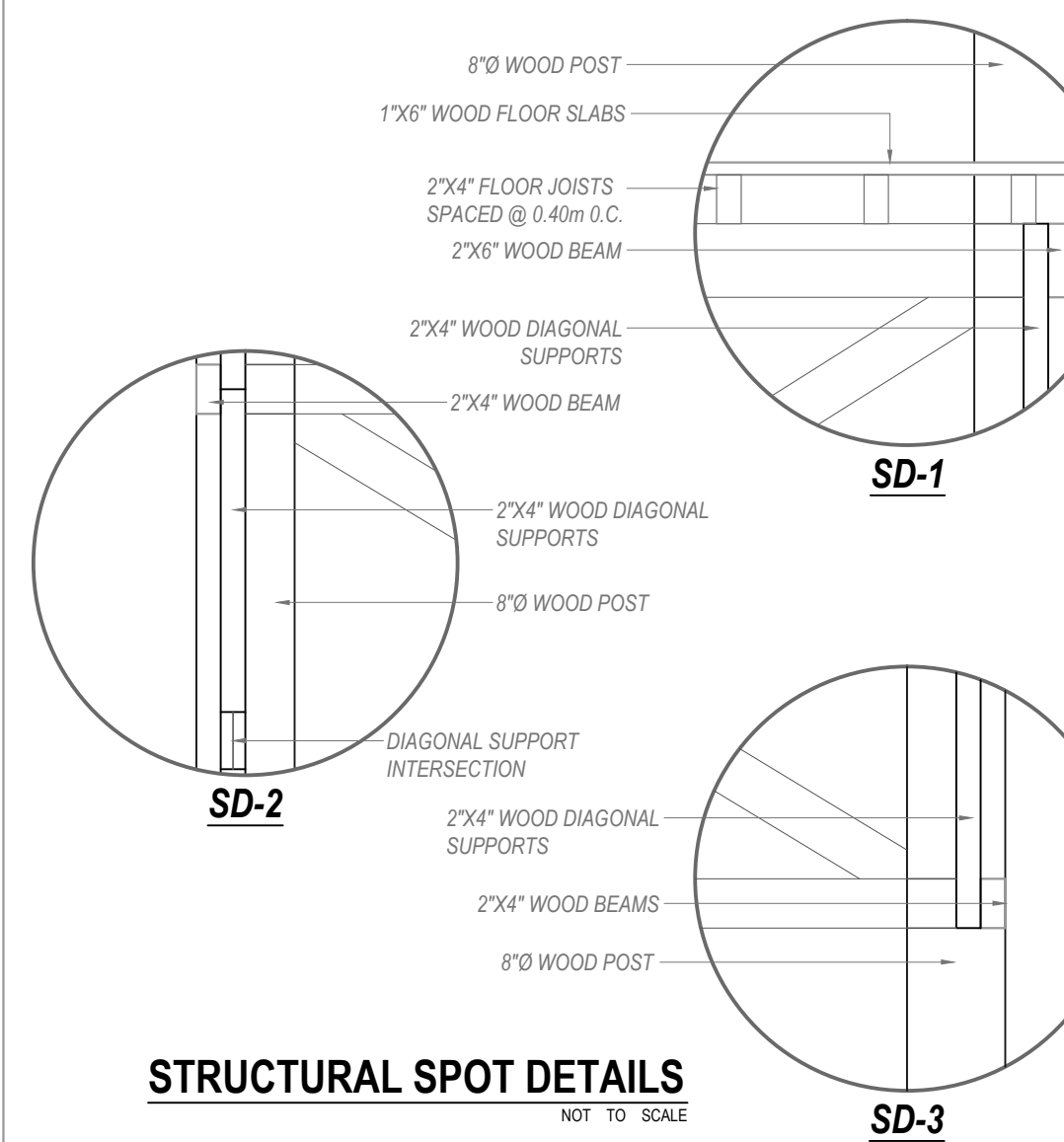


FOUNDATION PLAN
SCALE 1:100 METERS

FLOOR FRAMING PLAN
SCALE 1:100 METERS

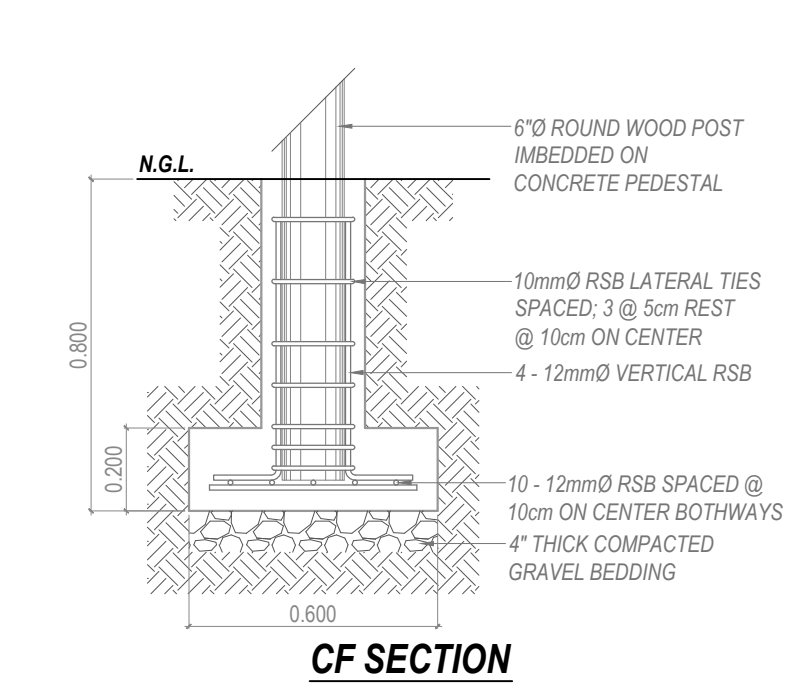


STRUCTURAL CROSS SECTION
SCALE 1:50 METERS

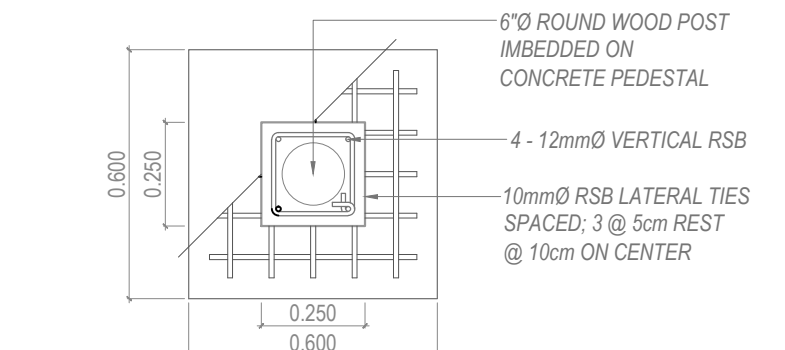


STRUCTURAL SPOT DETAILS
NOT TO SCALE

WATER TANK PLATFORM



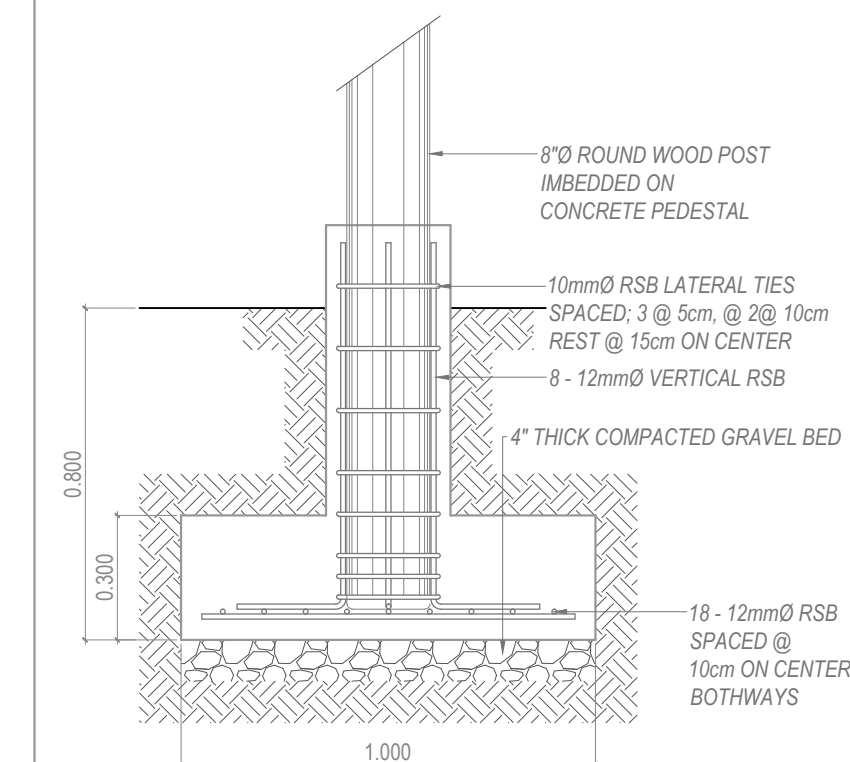
CF SECTION



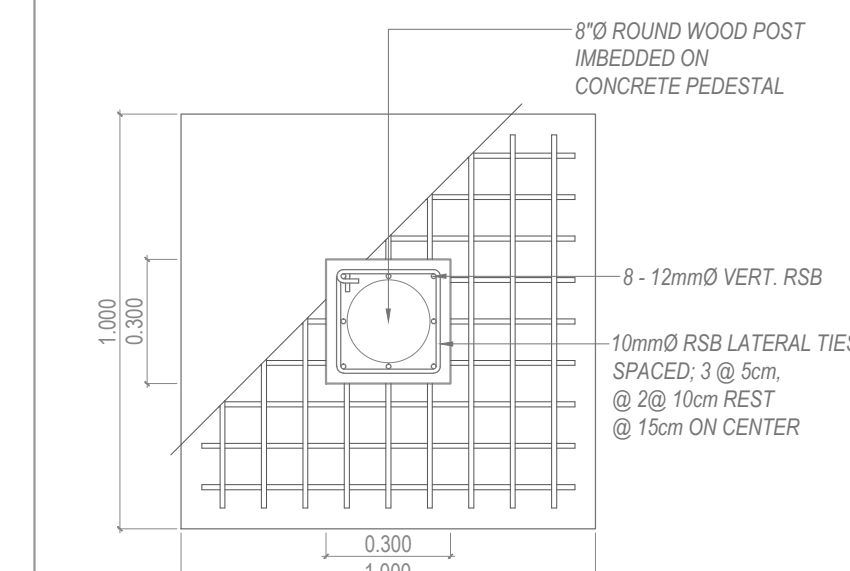
CF PLAN

TYPICAL COLUMN-FOOTING DETAILS
SCALE 1:20 METERS

- STAFF HOUSE
- COVERED CARPORT



SECTION



PLAN

WATER TANK COLUMN-FOOTING DETAILS
SCALE 1:20 METERS

STAFF HOUSE

CLINT M. PONCE DE LEON
ARCHITECTURAL DESIGN AND SERVICES
25-D SOCRATES ROAD, BGY. SAN PEDRO,
PUERTO PRINCESA CITY, PALAWAN
PHILIPPINES
MOBILE NO. 09263307954
EMAIL: arch.clintponcedeleon@gmail.com

DEXTER T. CARDIJON
CIVIL ENGINEER
PRC REG. NO.: 109894 PTR NO.: 1267878
DATE ISSUED: 1-16-2019 PLACE ISSUED:

PROJECT TITLE:
PROPOSED BEACH RESORT
LOCATION: LOT 3947-E, SITIO LUMAMBONG, BGY. BINGA, SAN VICENTE, PALAWAN

COVERED CARPORT

PROJECT OWNER:
BINGA BEACH BROTHERS Inc.
ADDRESS: LOT 3947-E, SITIO LUMAMBONG, BGY. BINGA, SAN VICENTE, PALAWAN

SHEET CONTENTS:
AS SHOWN

RA 9286, RULE IV, SEC.33
Drawings and specifications and other contract documents duly signed, stamped or sealed, as instruments of service, are the intellectual property and documents of the Architect. It shall be unlawful for any person to duplicate or to make copies of said documents for use in the execution of and for other projects or buildings, whether executed partly or in whole, without the written consent of the Architect or author of the said documents.