

MDPB SCHEDULE OF LOADS:

CKT. NO.	LOAD DESCRIPTION	VA / WATTS	VOLTS	AMP. / CKT	CIRCUIT BREAKER			SIZES OF WIRES AND CONDUITS
					AT	AF	POLE	
1.	PANEL BOARD - 1	3,250	230	12.95	40	60	2	2 - 8.0mm ² THHN IN 25mm ^Ø UPVC
2.	PANEL BOARD - 2	4,500	230	15.32	40	60	2	2 - 8.0mm ² THHN IN 25mm ^Ø UPVC
3.	PANEL BOARD - 3	4,075	230	15.41	40	60 <td 2	2 - 8.0mm ² THHN IN 25mm ^Ø UPVC	
4.	SPACE	---	---	---	---	---	---	-----
5.	TOTAL	2980	---	12.95	70	60	2	2 - 22mm ² THHN IN 32mm ^Ø UPVC

TOTAL = 43.68AMPS

PB - 1 SCHEDULE OF LOADS:

CKT. NO.	LOAD DESCRIPTION	VA / WATTS	VOLTS	AMP. / CKT	CIRCUIT BREAKER			SIZES OF WIRES AND CONDUITS
					AT	AF	POLE	
1.	ELEC. / STORAGE	220	230	0.96	20	60	2	2 - 2.0mm DIAMETER PDX WIRES
2.	2 - L.O. @ 10W + 1 - C.O. @ 200W	220	230	0.96	20	60	2	2 - 2.0mm DIAMETER PDX WIRES
3.	STAFF HOUSE - 1	220	230	0.96	20	60	2	2 - 2.0mm DIAMETER PDX WIRES
4.	2 - L.O. @ 10W + 1 - C.O. @ 200W	220	230	0.96	20	60	2	2 - 2.0mm DIAMETER PDX WIRES
5.	STAFF HOUSE - 2	210	230	0.91	20	60	2	2 - 2.0mm DIAMETER PDX WIRES
6.	GAZEBO	830	230	3.60	20	60	2	2 - 2.0mm DIAMETER PDX WIRES
7.	1 - L.O. @ 10W + 1 - C.O. @ 200W	830	230	3.60	20	60	2	2 - 2.0mm DIAMETER PDX WIRES
8.	GLAMPING PLATFORM - 1	830	230	3.60	20	60	2	2 - 2.0mm DIAMETER PDX WIRES
9.	3 - L.O. @ 10W + 4 - C.O. @ 200W	830	230	3.60	20	60	2	2 - 2.0mm DIAMETER PDX WIRES
10.	GLAMPING PLATFORM - 2	450	230	1.96	20	60	2	2 - 2.0mm DIAMETER PDX WIRES
11.	3 - L.O. @ 10W + 4 - C.O. @ 200W	450	230	1.96	20	60	2	2 - 2.0mm DIAMETER PDX WIRES
12.	COVERED PARKING	---	---	---	---	---	---	-----
13.	5 - L.O. @ 10W + 2 - C.O. @ 200W	---	---	---	---	---	---	-----
14.	SPACE	---	---	---	---	---	---	-----
15.	TOTAL	2980	---	12.95	40	60	2	2 - 8.0mm ² THHN IN 25mm ^Ø UPVC

PB - 2 SCHEDULE OF LOADS:

CKT. NO.	LOAD DESCRIPTION	VA / WATTS	VOLTS	AMP. / CKT	CIRCUIT BREAKER			SIZES OF WIRES AND CONDUITS
					AT	AF	POLE	
1.	6 - L.O. @ 10W EACH	60	230	0.26	15	60	2	2 - 1.6mm DIAMETER PDX WIRES
2.	7 - L.O. @ 10W EACH	70	230	0.31	15	60	2	2 - 1.6mm DIAMETER PDX WIRES
3.	7 - L.O. @ 10W EACH	70	230	0.31	15	60	2	2 - 1.6mm DIAMETER PDX WIRES
4.	12 - L.O. @ 10W EACH ON WALKWAY & BRIDGE	120	230	0.53	15	60	2	2 - 1.6mm DIAMETER PDX WIRES
5.	5 - C.O. @ 200W EACH	1,000	230	4.35	20	60	2	2 - 2.0mm DIAMETER PDX WIRES
6.	5 - C.O. @ 200W EACH	1,000	230	4.35	20	60	2	2 - 2.0mm DIAMETER PDX WIRES
7.	REFRIGERATOR OUTLET	700	230	3.04	20	60	2	2 - 2.0mm DIAMETER PDX WIRES
8.	FREEZER	500	230	2.17	20	60	2	2 - 2.0mm DIAMETER PDX WIRES
9.	TOTAL	3520	---	15.32	40	60	2	2 - 8.0mm ² THHN IN 25mm ^Ø UPVC

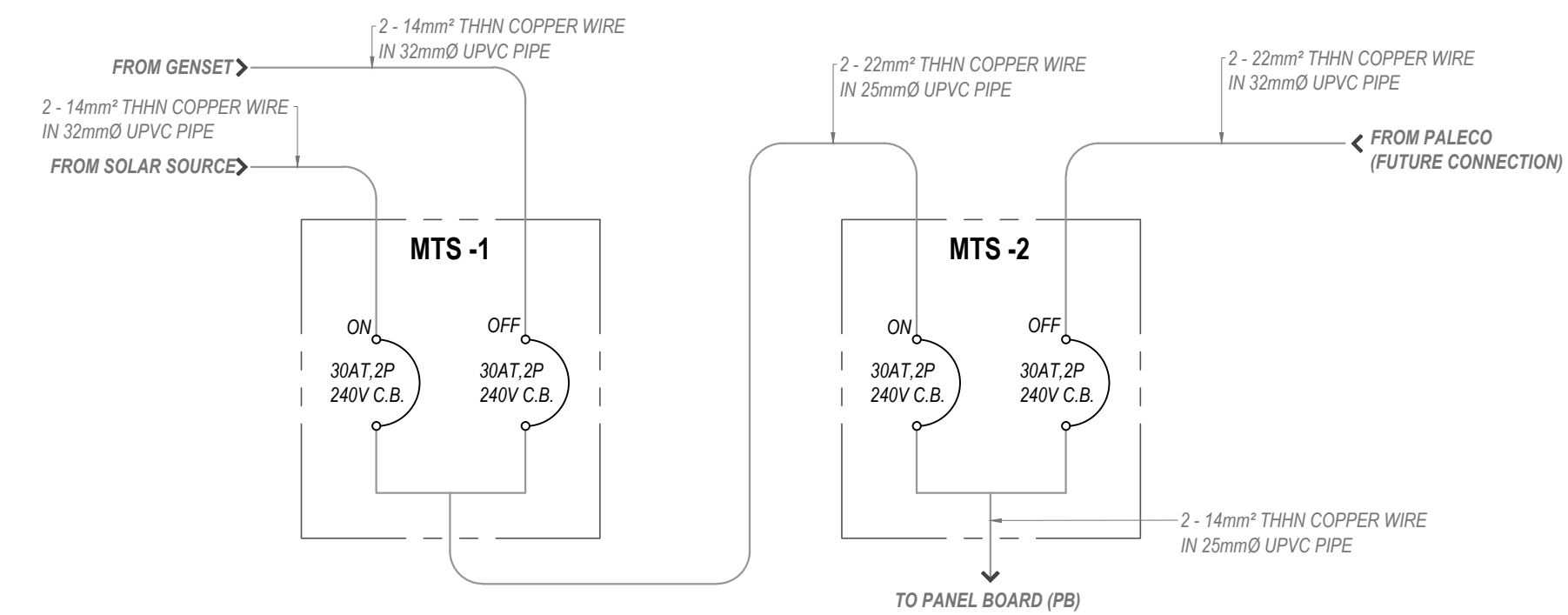
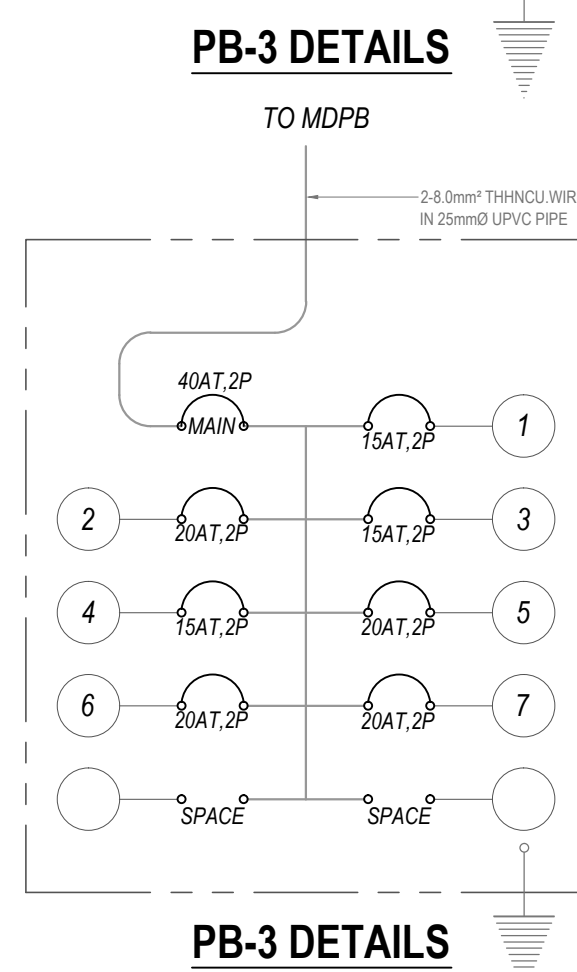
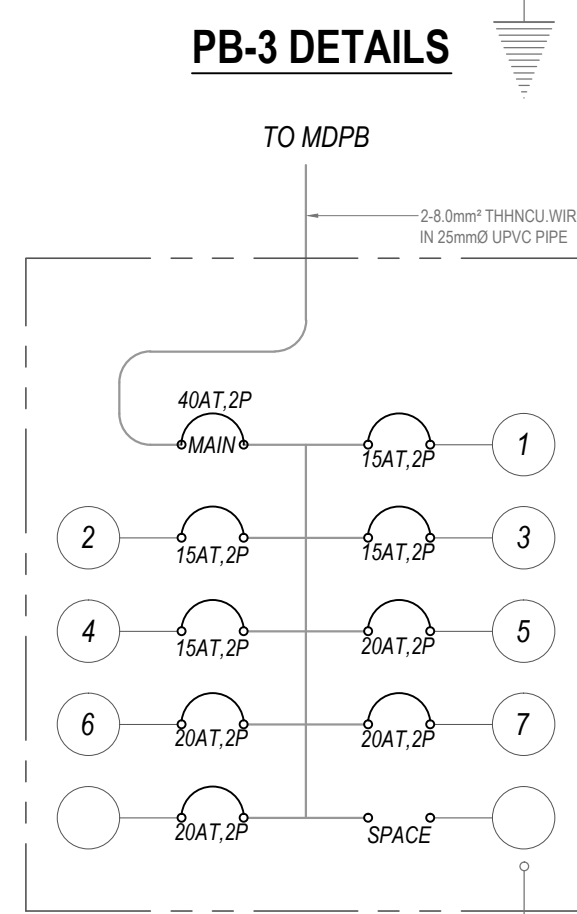
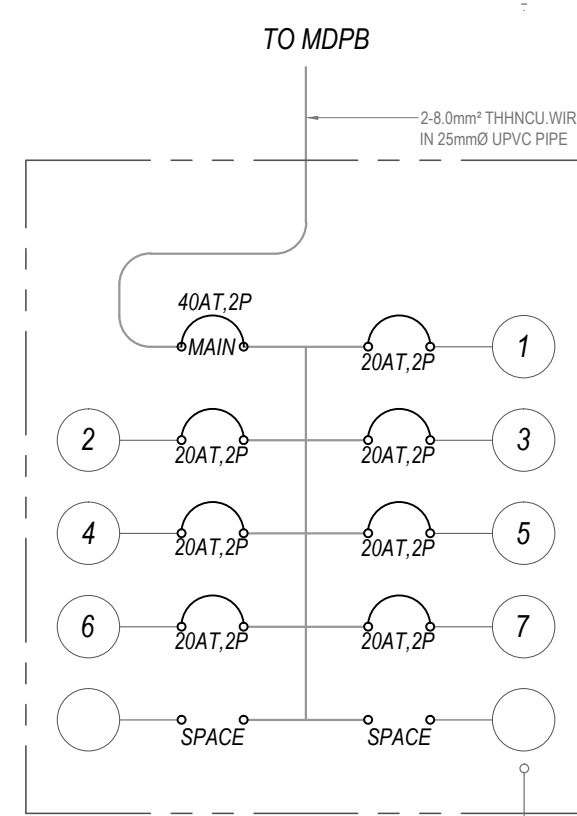
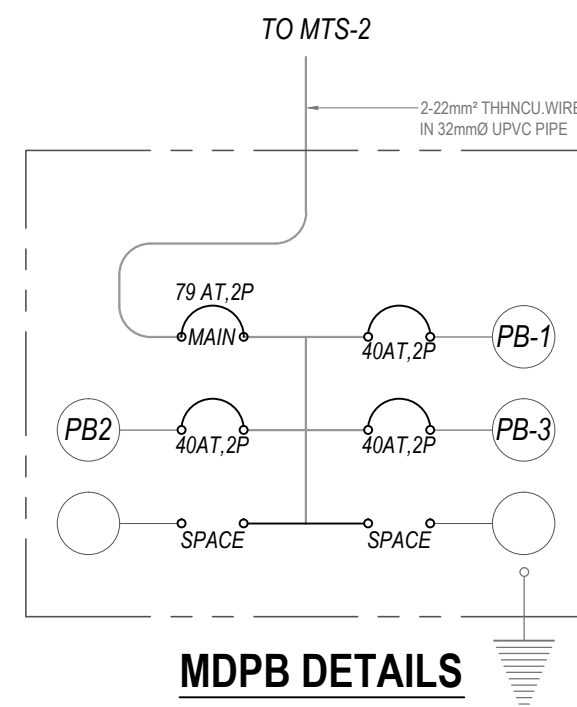
PB - 3 SCHEDULE OF LOADS:

CKT. NO.	LOAD DESCRIPTION	VA / WATTS	VOLTS	AMP. / CKT	CIRCUIT BREAKER			SIZES OF WIRES AND CONDUITS
					AT	AF	POLE	
1.	11 - L.O. @ 10W EACH	110	230	0.48	15	60	2	2 - 1.6mm DIAMETER PDX WIRES
2.	4 - C.O. @ 200W EACH	800	230	3.48	20	60	2	2 - 1.6mm DIAMETER PDX WIRES
3.	OUTDOOR BATHROOMS	70	230	0.30	15	60	2	2 - 1.6mm DIAMETER PDX WIRES
4.	7 - L.O. @ 10W EACH	80	230	0.35	15	60	2	2 - 1.6mm DIAMETER PDX WIRES
5.	8 - L.O. @ 10W EACH ON WALKWAYS	80	230	0.35	15	60	2	2 - 1.6mm DIAMETER PDX WIRES
6.	GLAMPING PLATFORM - 3	830	230	3.60	20	60	2	2 - 2.0mm DIAMETER PDX WIRES
7.	3 - L.O. @ 10W + 4 - C.O. @ 200W	830	230	3.60	20	60	2	2 - 2.0mm DIAMETER PDX WIRES
8.	GLAMPING PLATFORM - 4	830	230	3.60	20	60	2	2 - 2.0mm DIAMETER PDX WIRES
9.	3 - L.O. @ 10W + 4 - C.O. @ 200W	830	230	3.60	20	60	2	2 - 2.0mm DIAMETER PDX WIRES
10.	GLAMPING PLATFORM - 5	---	---	---	---	---	---	-----
11.	3 - L.O. @ 10W + 4 - C.O. @ 200W	---	---	---	---	---	---	-----
12.	SPACE	---	---	---	---	---	---	-----
13.	TOTAL	3550	---	15.41	40	60	2	2 - 8.0mm ² THHN IN 25mm ^Ø UPVC

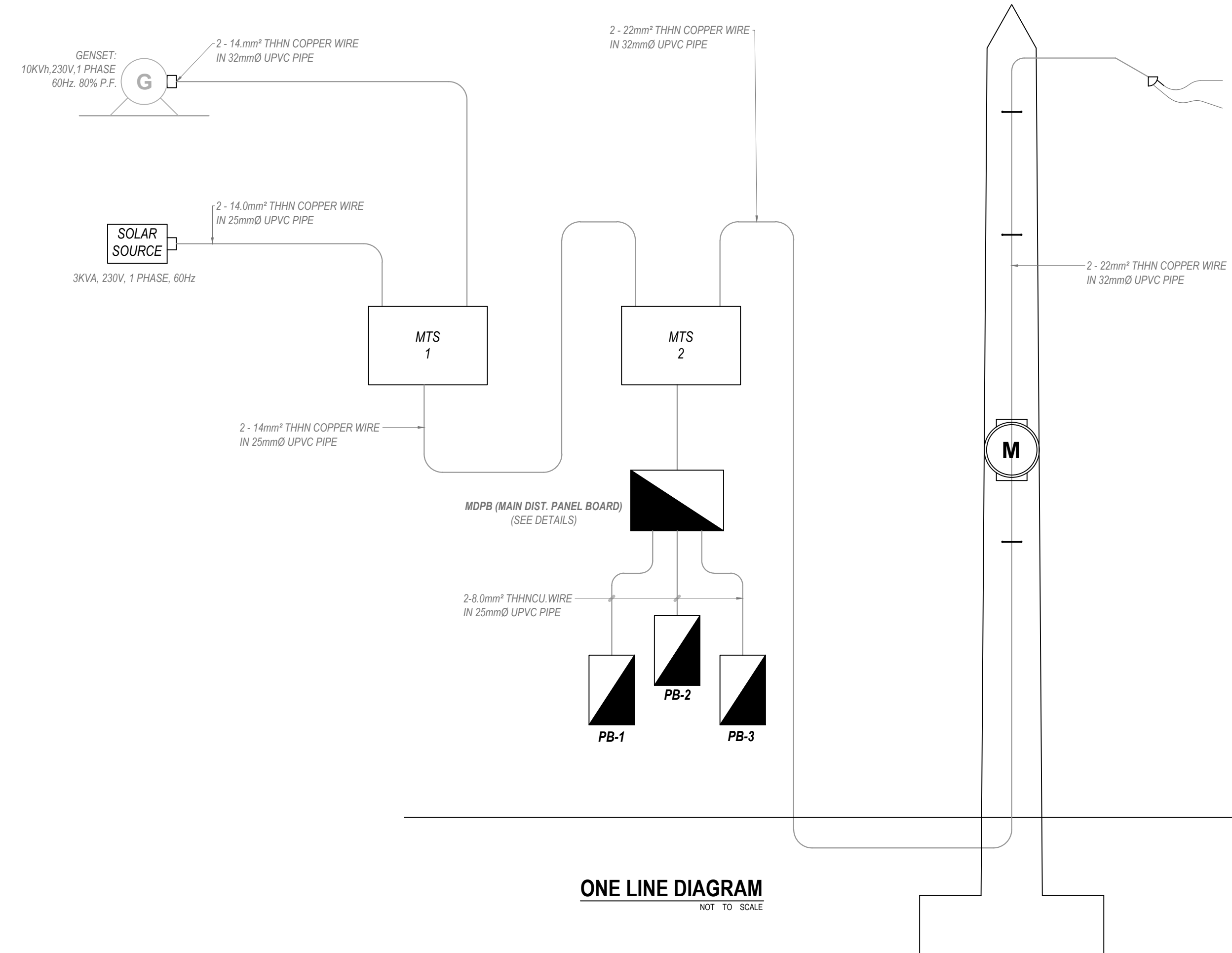
LOAD CALCULATION:

$ILT = (12.95) + (15.32) + (15.31)$
 $ILT = 43.68 \text{ AMPS}$

THEREFORE: USE 22mm² THHN ON 32mm^Ø UPVC PIPE



MTS DETAILS



ONE LINE DIAGRAM
NOT TO SCALE

CLINT M. PONCE DE LEON
 ARCHITECTURAL DESIGN AND SERVICES
 25-D SOCRATES ROAD, BGY. SAN PEDRO,
 PUERTO PRINCESA CITY, PALAWAN
 PHILIPPINES
 MOBILE NO. 09336307954
 EMAIL: arch.clintponceleleon@gmail.com

RODIN L. ACHAS
 PROFESSIONAL ELECTRICAL ENGINEER
 PRC REG. NO.: 3264 PTR NO.: 1256999
 DATE ISSUED: 1-03-2019 PLACE ISSUED: P.P.C.

PROJECT TITLE:
PROPOSED BEACH RESORT
 LOCATION: LOT 3947-E, SITIO LUMAMBONG, BGY. BINGA, SAN VICENTE, PALAWAN

PROJECT OWNER:
BINGA BEACH BROTHERS Inc.
 ADDRESS: LOT 3947-E, SITIO LUMAMBONG, BGY. BINGA, SAN VICENTE, PALAWAN

SHEET CONTENTS:
AS SHOWN

RA 9286, RULE IV, SEC.33
 Drawings and specifications and other contract documents duly signed, stamped or sealed, as instruments of service, are the intellectual property and documents of the Architect, Clint M. Ponce de Leon, upi. Whether the object for which they are made is executed or not, it shall be unlawful for any person to duplicate or to make copies of said documents for use in the execution of and for other projects or buildings, whether executed partly or in whole, without the written consent of the Architect or author of the said documents.

SHEET NUMBER:
E-2
 14 14