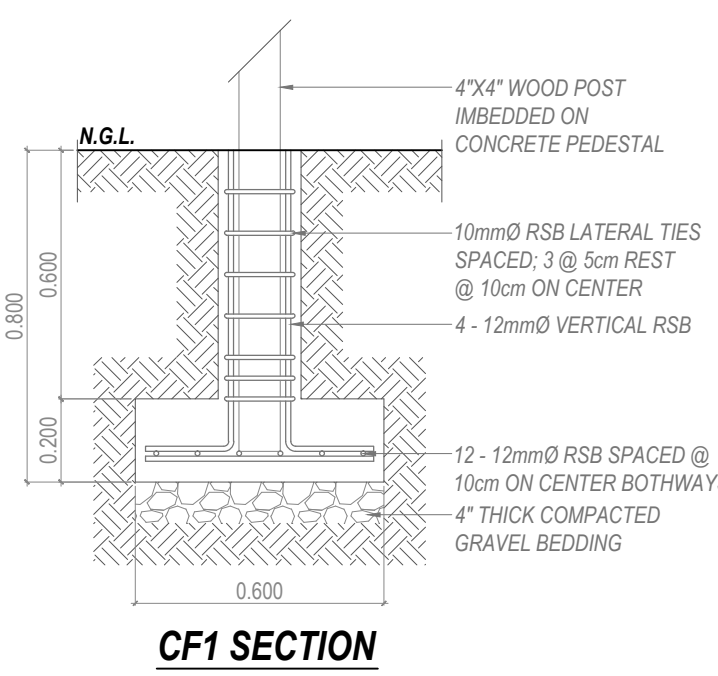
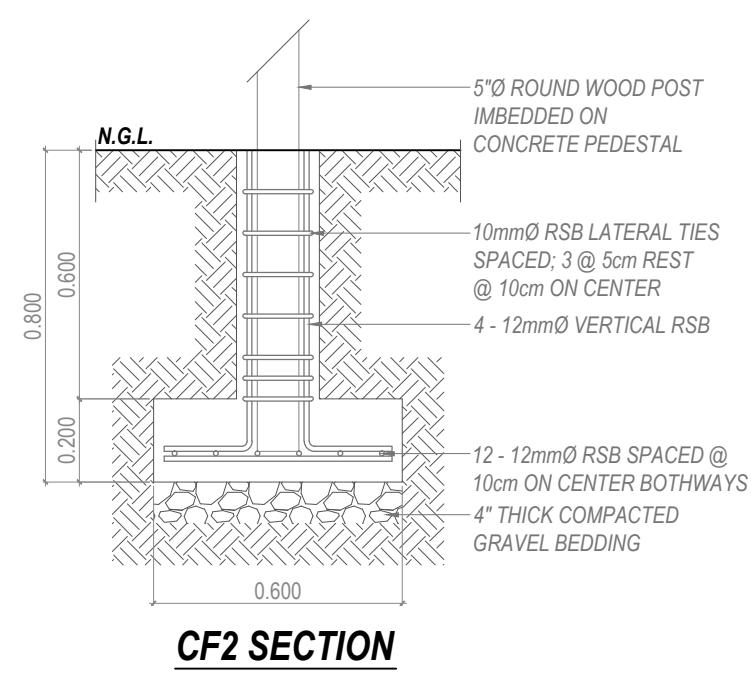


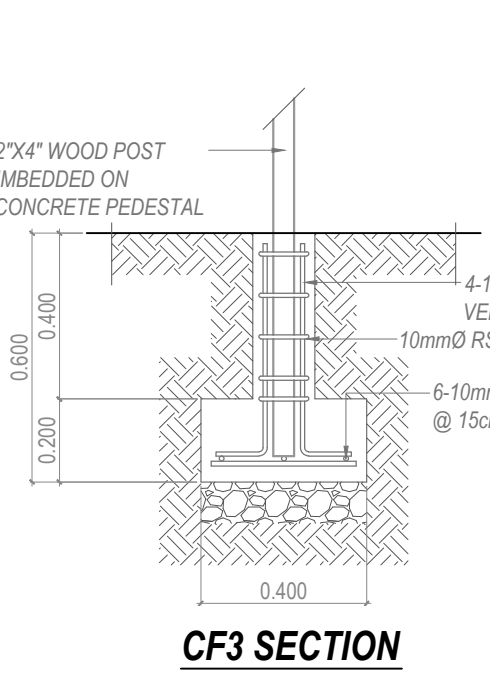
**ADMIN FOUNDATION PLAN**  
SCALE 1:100 METERS



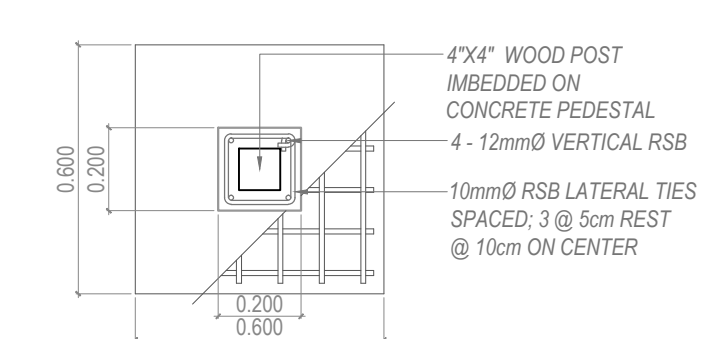
**CF1 SECTION**



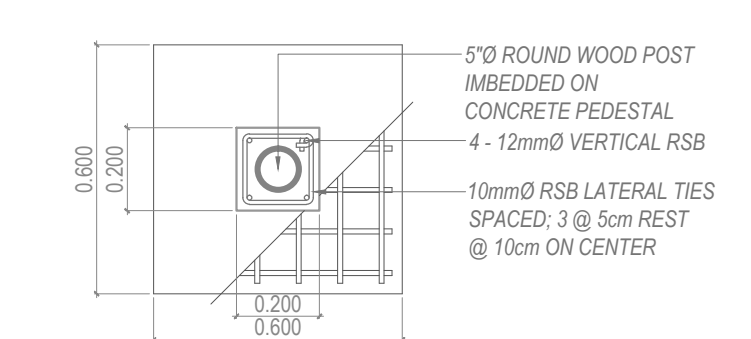
**CF2 SECTION**



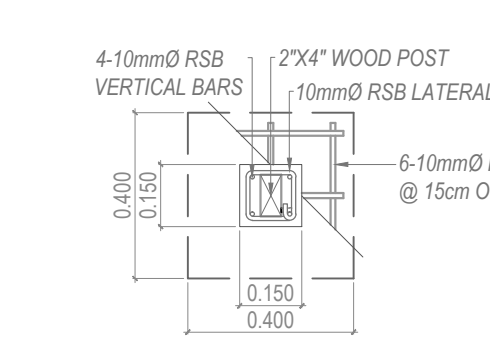
**CF3 SECTION**



**CF1 PLAN**

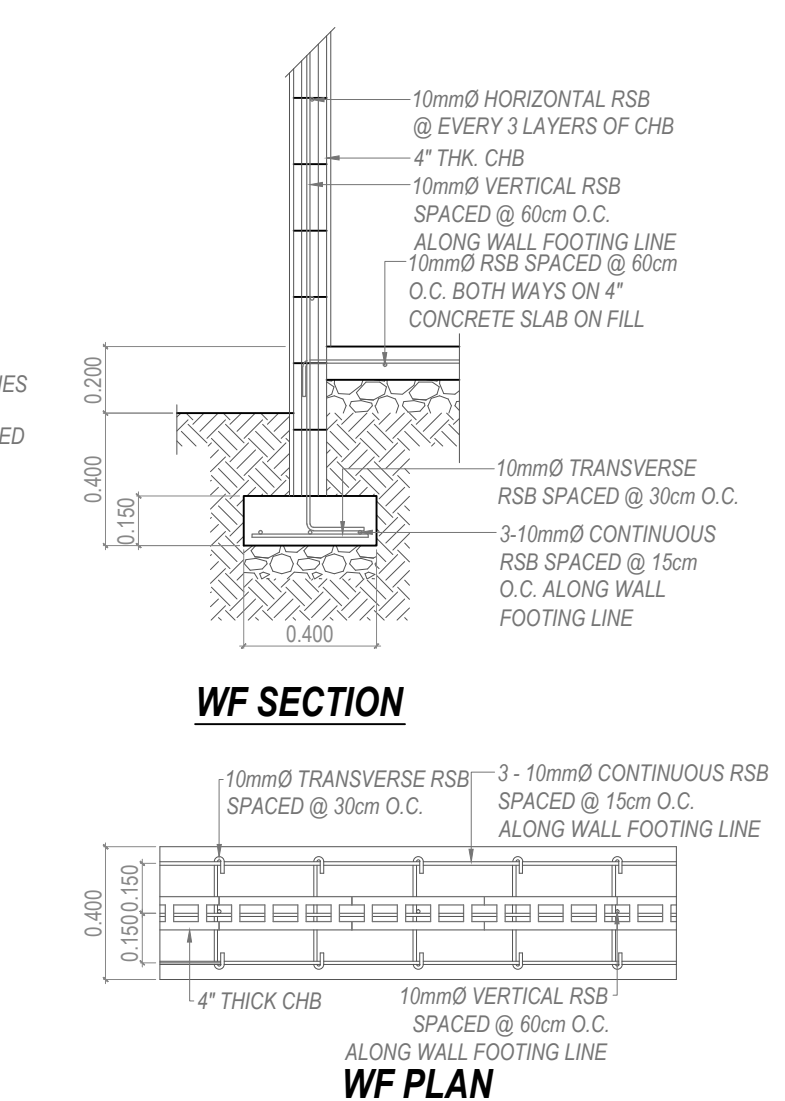


**CF2 PLAN**

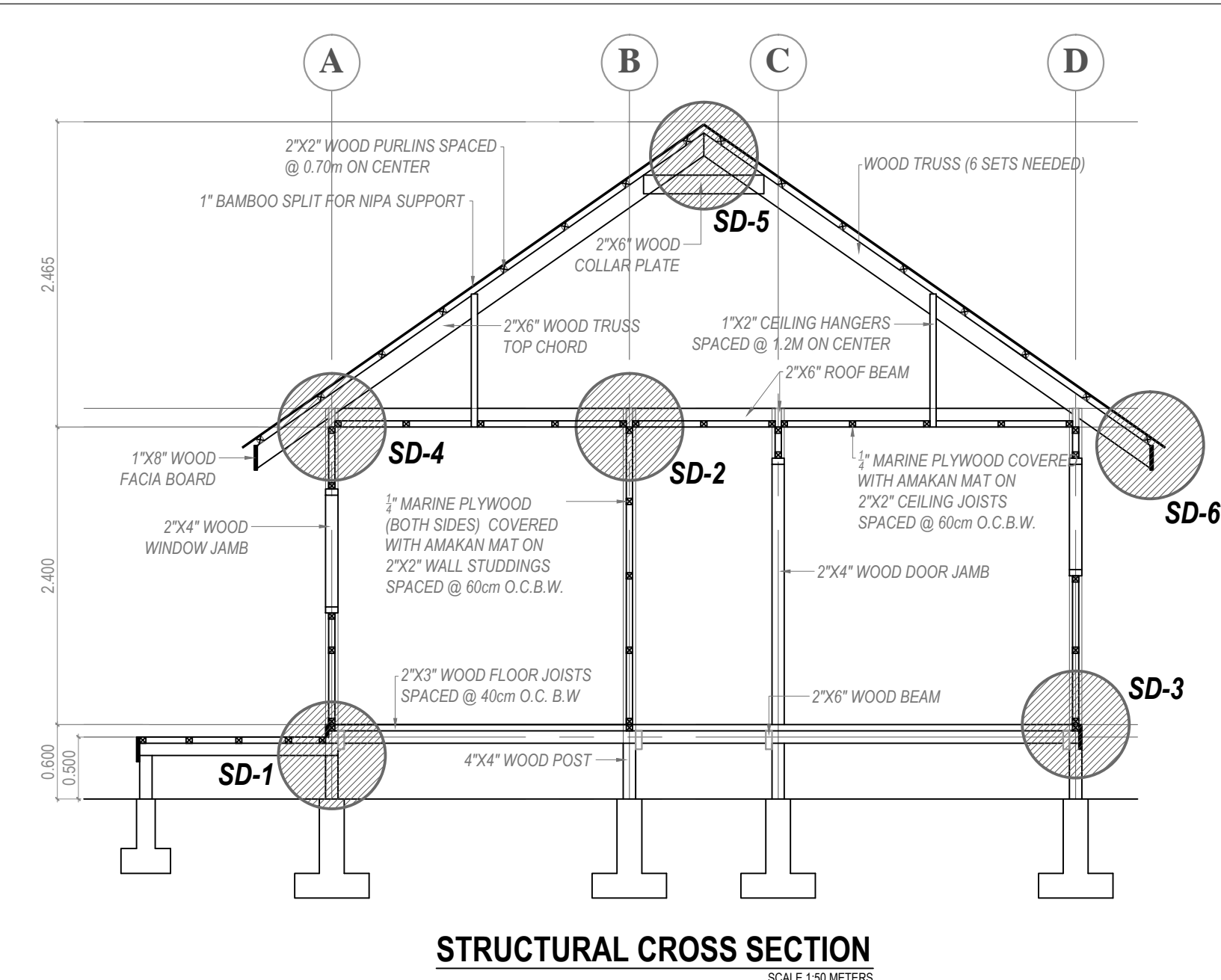


**CF3 PLAN**

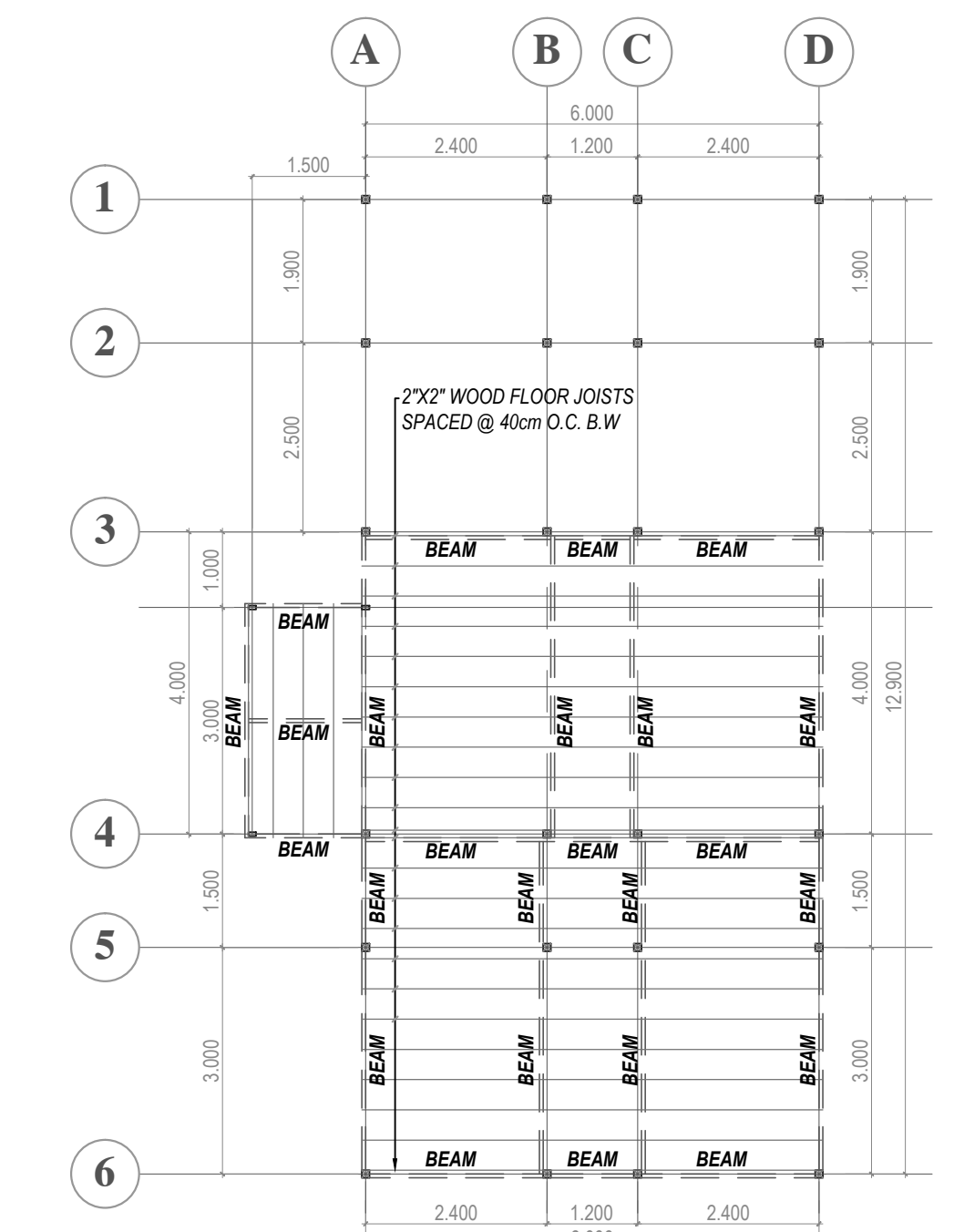
**COLUMN-FOOTING DETAILS**  
SCALE 1:25 METERS



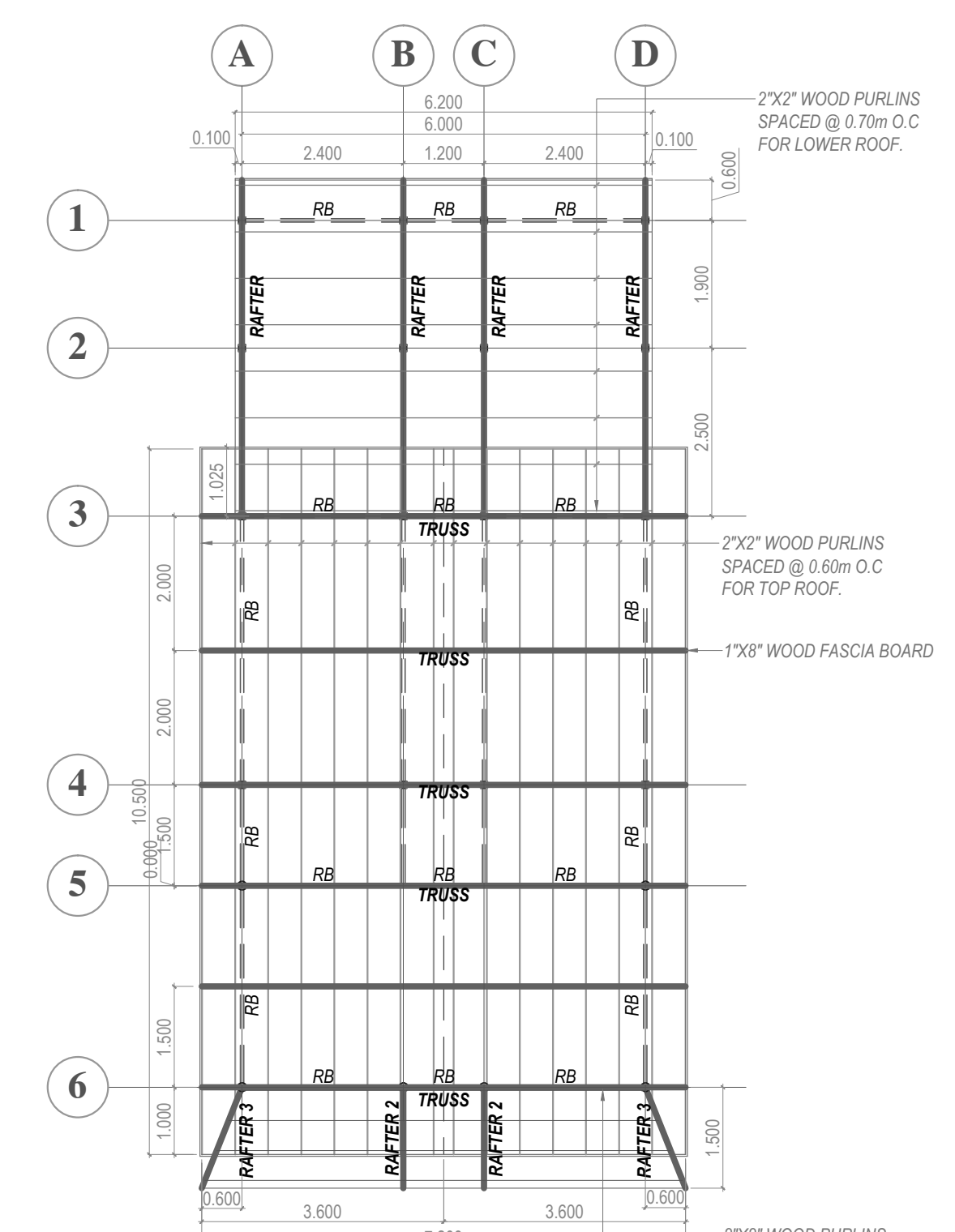
**CHB WALL-FOOTING DETAILS**  
SCALE 1:25 METERS



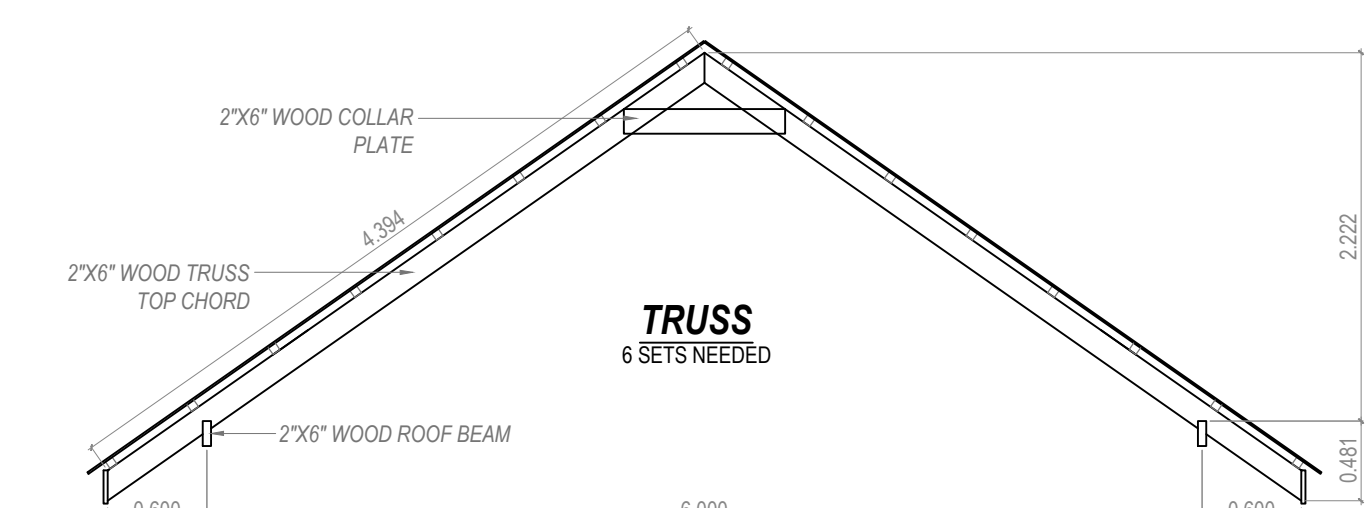
**STRUCTURAL CROSS SECTION**  
SCALE 1:50 METERS



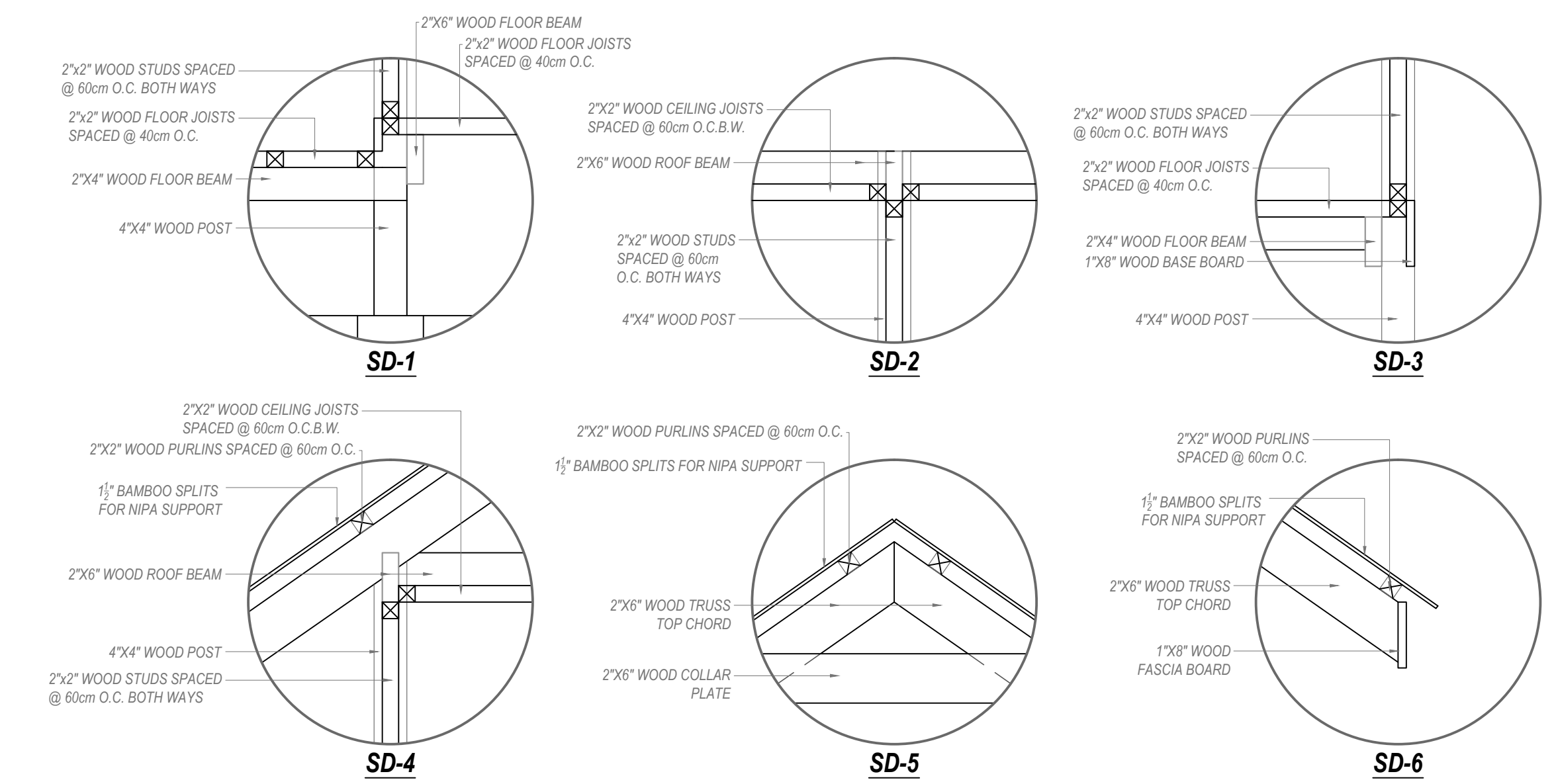
**FLOOR FRAMING PLAN**  
SCALE 1:100 METERS



**ROOF FRAMING PLAN**  
SCALE 1:100 METERS



**TRUSS SCHEDULE & DETAILS**  
SCALE 1:50 METERS



**STRUCTURAL SPOT DETAILS**  
NOT TO SCALE

**CLINT M. PONCE DE LEON**  
ARCHITECTURAL DESIGN AND SERVICES  
25-D SOCRATES ROAD, BGY. SAN PEDRO,  
PUERTO PRINCESA CITY, PALAWAN  
PHILIPPINES  
MOBILE NO. 0933637954  
EMAIL: arch.clintponcedeleon@gmail.com

**DEXTER T. CARDIJON**  
CIVIL ENGINEER  
PRC REG. NO.: 109894 PTR NO.: 1267878  
DATE ISSUED: 1-16-2019 PLACE ISSUED: P.P.C.

PROJECT TITLE:  
**PROPOSED BEACH RESORT**  
LOCATION: LOT 3947-E, SITIO LUMAMBONG, BGY. BINGA, SAN VICENTE, PALAWAN

PROJECT OWNER:  
**BINGA BEACH BROTHERS Inc.**  
ADDRESS: LOT 3947-E, SITIO LUMAMBONG, BGY. BINGA, SAN VICENTE, PALAWAN

SHEET CONTENTS:  
**AS SHOWN**

RA 9286. RULE IV. SEC.33  
Drawings and specifications and other contract documents duly signed, stamped or sealed, as instruments of service, are the intellectual property and documents of the Architect Clint M. Ponce de Leon, up. Whether the object for which they are made is executed or not. It shall be unlawful for any person to duplicate or to make copies of said documents for use in the execution of and for other projects or buildings, whether executed partly or in whole, without the written consent of the Architect or author of the said documents.